

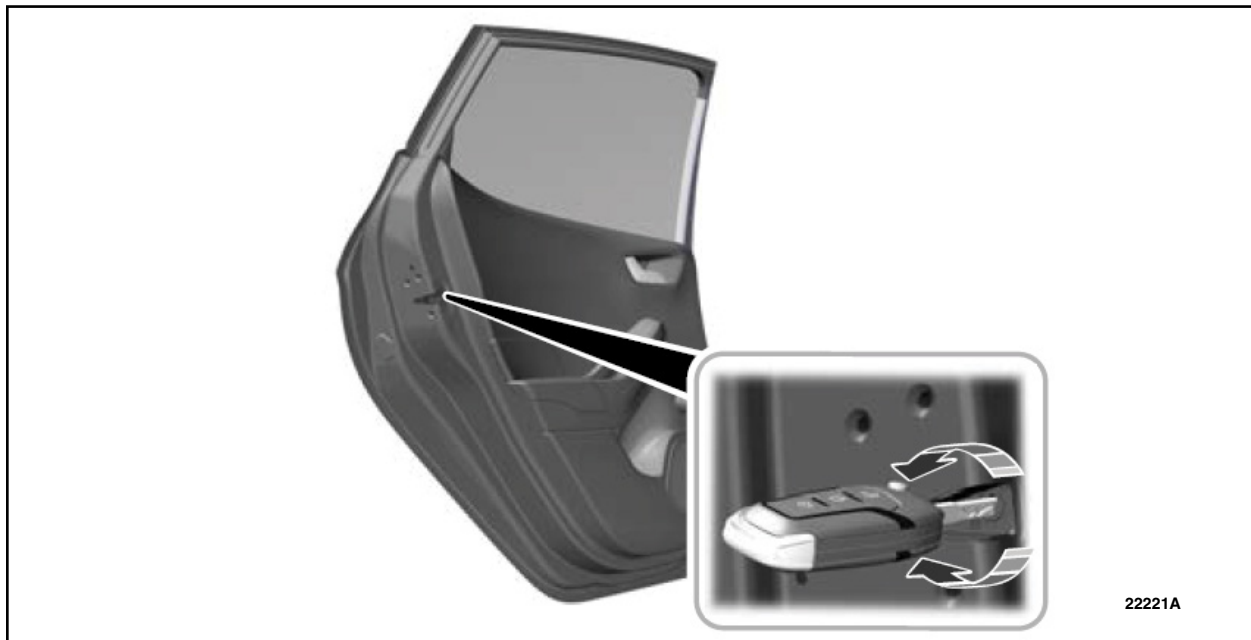
## CERTAIN 2021-2022 MODEL YEAR BRONCO 4-DOOR — CHILD LOCK NOT FUNCTIONING

### SERVICE PROCEDURE

1. With door open, engage the child lock on both rear left-hand (LH) and rear right-hand (RH) doors. See Figure 1.

**NOTE:** For LH side turn key clockwise to engage. For RH side turn key counterclockwise to engage.

**NOTE:** LH side shown, RH side similar.



**FIGURE 1**

2. Roll down both rear LH and rear RH windows before getting into vehicle.
3. Close and lock the doors.

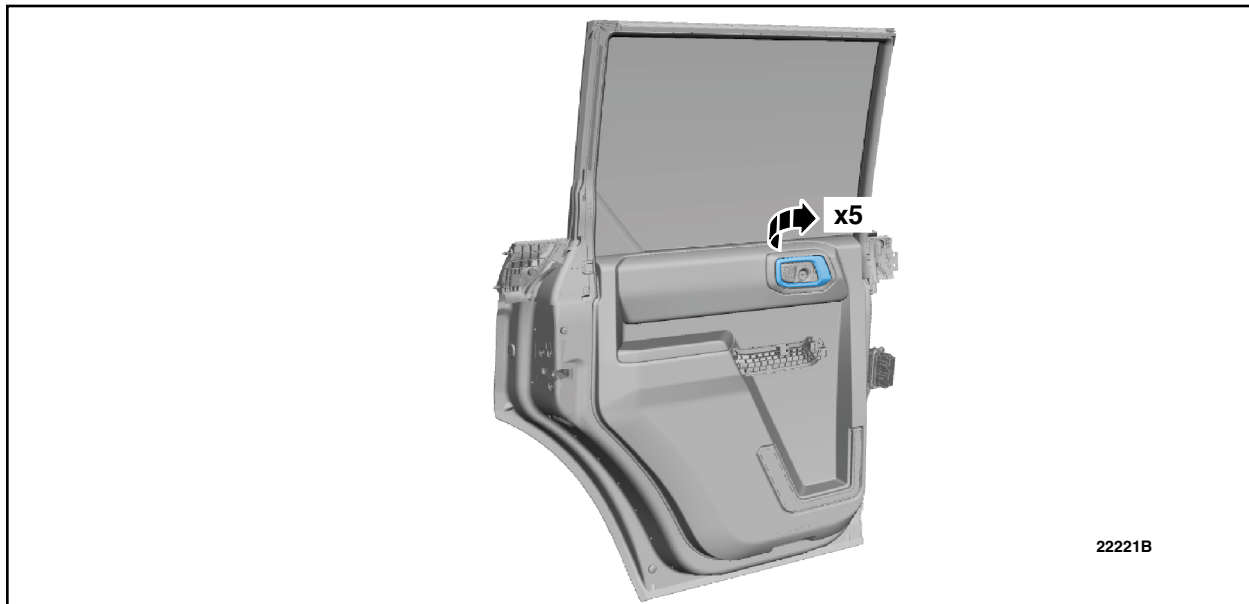


4. While sitting in the rear seat of the vehicle, pull the interior door handle fully, 5 times in succession. See Figure 2. Repeat with opposite door handle. Did either door open during this procedure?

Yes - Continue to Step 5.

No - Recall complete.

**NOTE:** LH side shown, RH side similar.



**FIGURE 2**

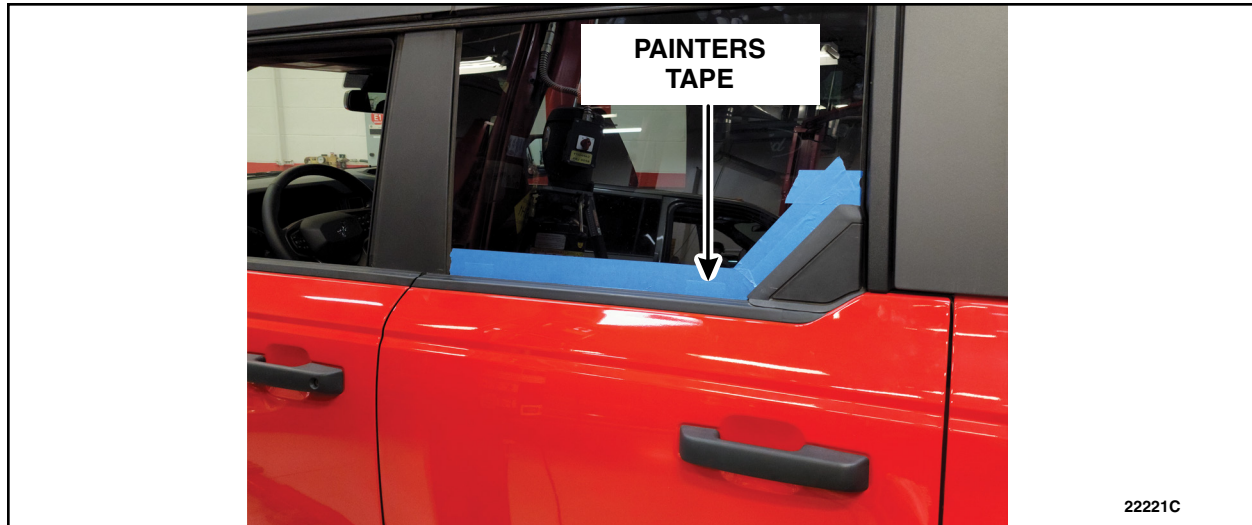
5. Exit the vehicle using the exterior door handle, roll-up the window and disengage the child lock.

**NOTE:** The window procedure below must be done before beginning the latch replacement procedure.



6. With the window rolled up and the door open, apply painters tape or equivalent to window glass, lining it up with the window seal. This will aid in re-installation of the glass. See Figure 3.

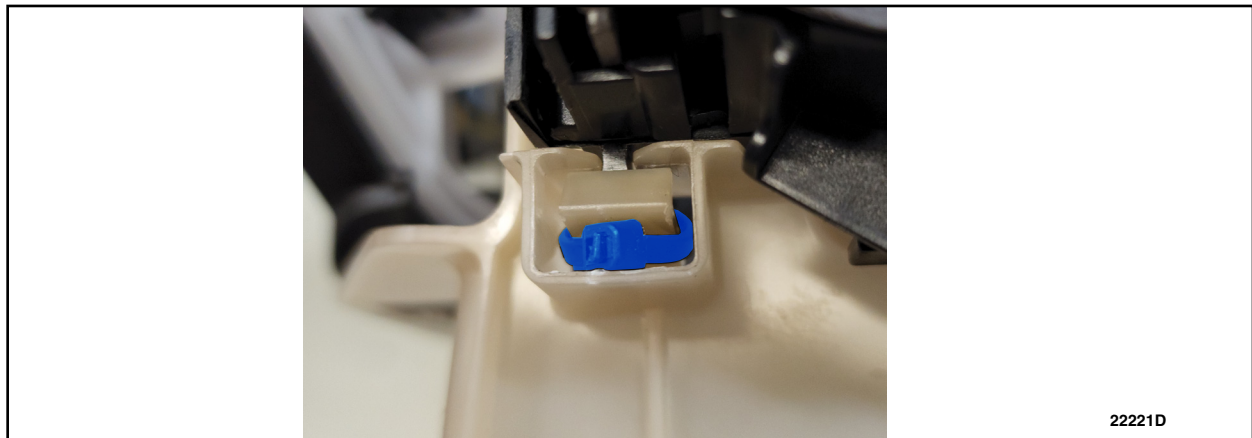
**NOTE:** BEFORE removing the fasteners, mark all of the fasteners for the rear door glass run and rear door window regulator with a paint pen or permanent marker.



**FIGURE 3**

7. To remove and install one or both latches please follow Workshop Manual (WSM) procedures in Section 501-14.

**NOTE:** If latch(es) are equipped with a zip tie, remove from assembly. Zip tie is to be replaced during reassembly. See Figure 4.



**FIGURE 4**

8. Place glass back into door making sure to line up the tape with the window seal.

**NOTE:** When reinstalling the window glass, align the tape with the window seal to ensure proper fit before tightening the fasteners. Door window glass adjustment is not necessary when following this procedure.

