

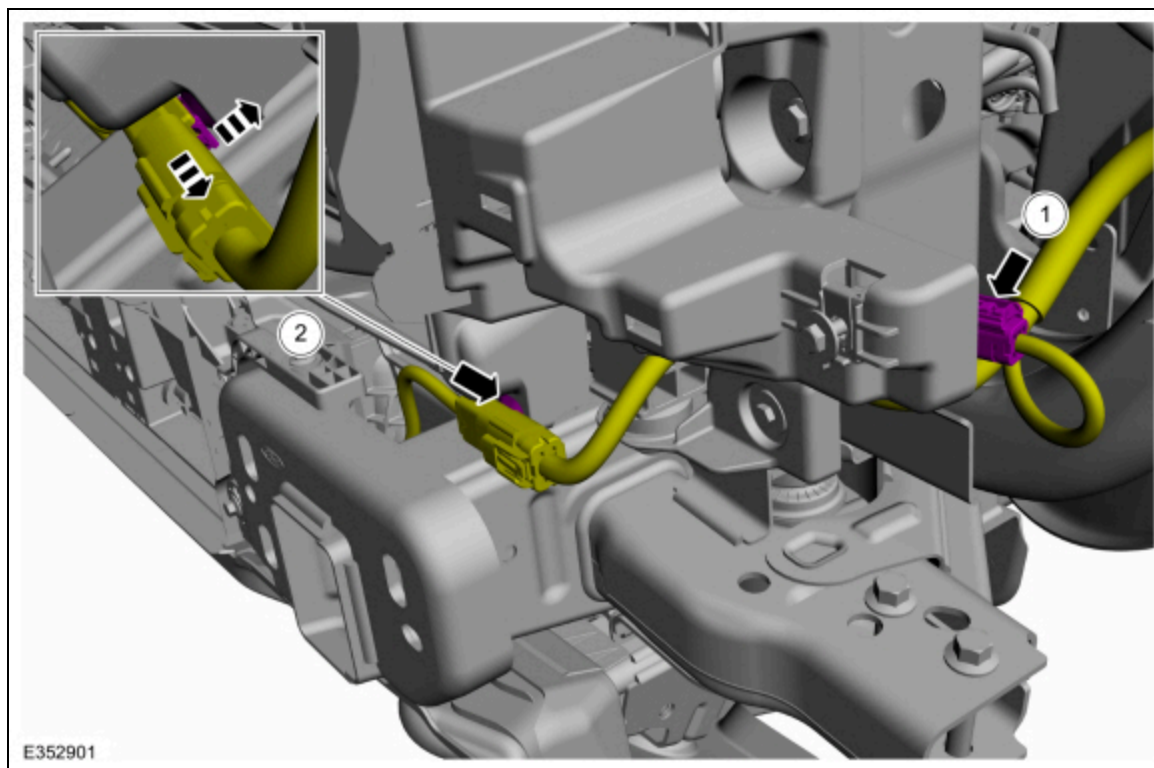
Active Grille Shutter

Removal

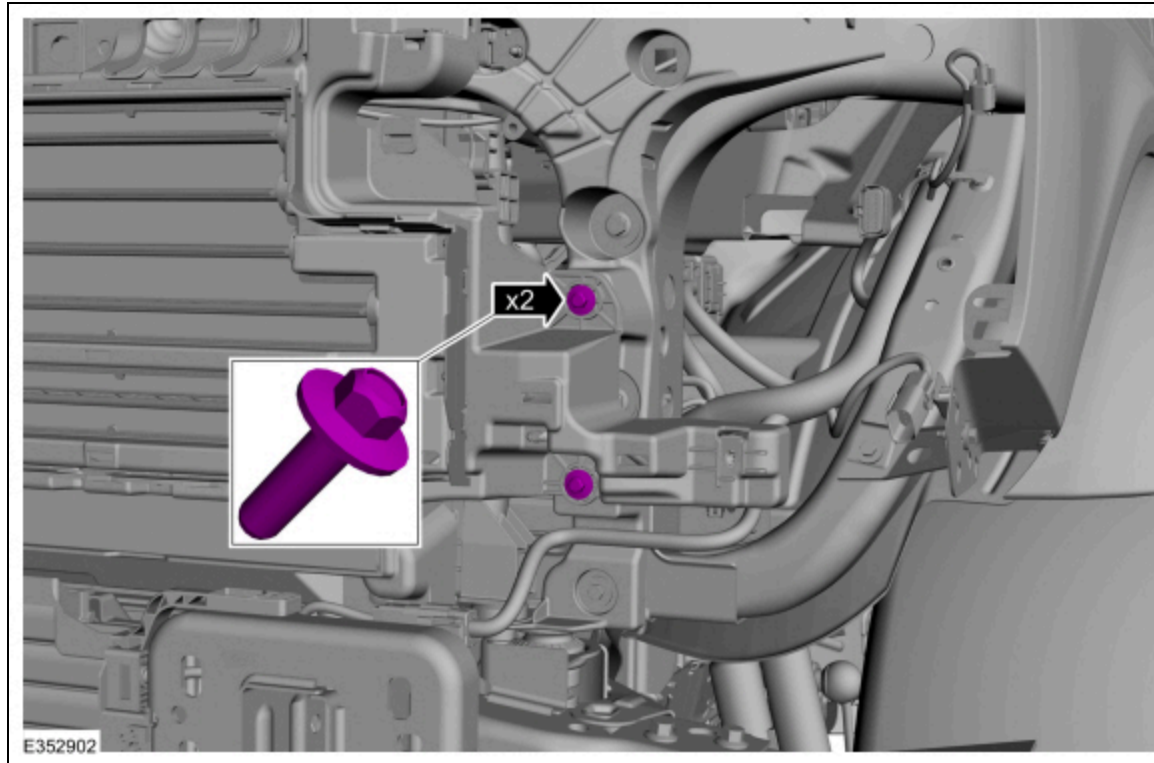
NOTE: Removal steps in this procedure may contain installation details.

Upper active grille shutter

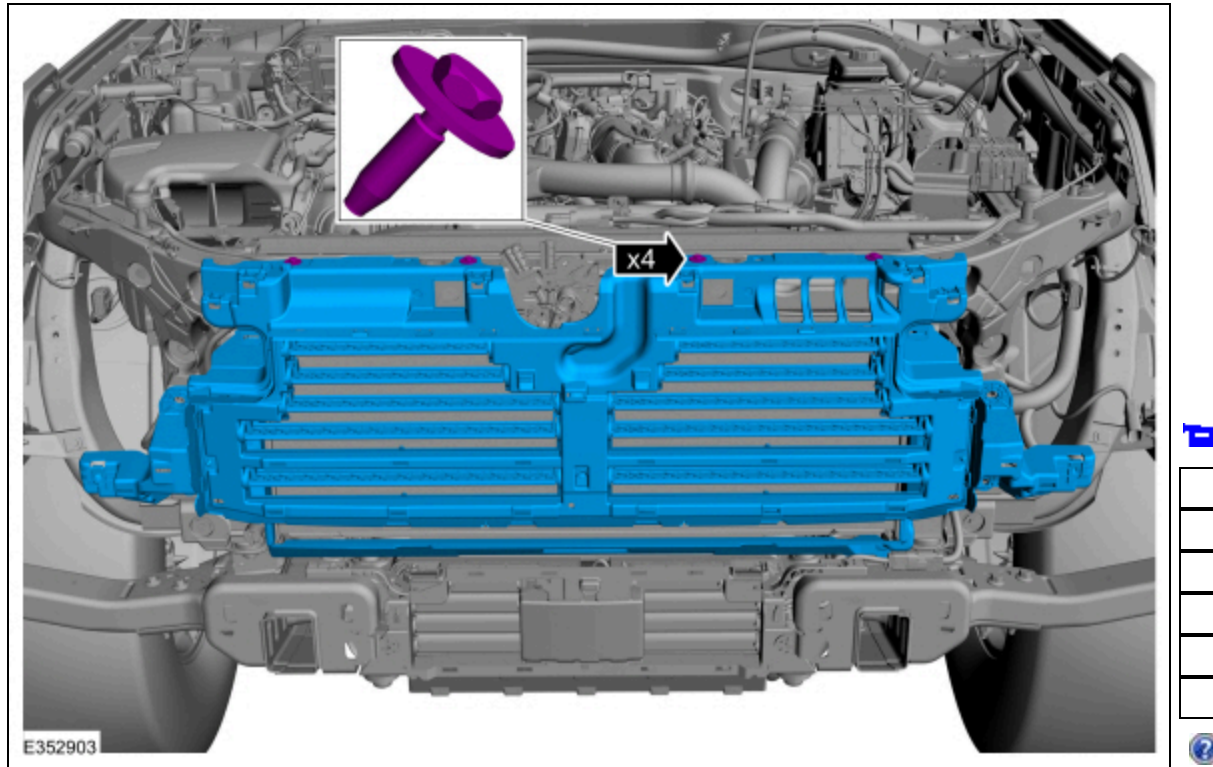
1. On both sides.
Remove the headlamp assembly.
Refer to: [Headlamp Assembly](#) (417-01 Exterior Lighting, Removal and Installation).
2.
 1. Disconnect the upper active grille shutter actuator electrical connector.
 2. Detach the lower active grille shutter actuator electrical connector retainer.



3. On both sides.
Remove the bolts.
Torque: 159 lb.in (18 Nm)

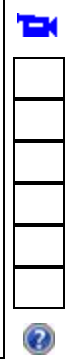
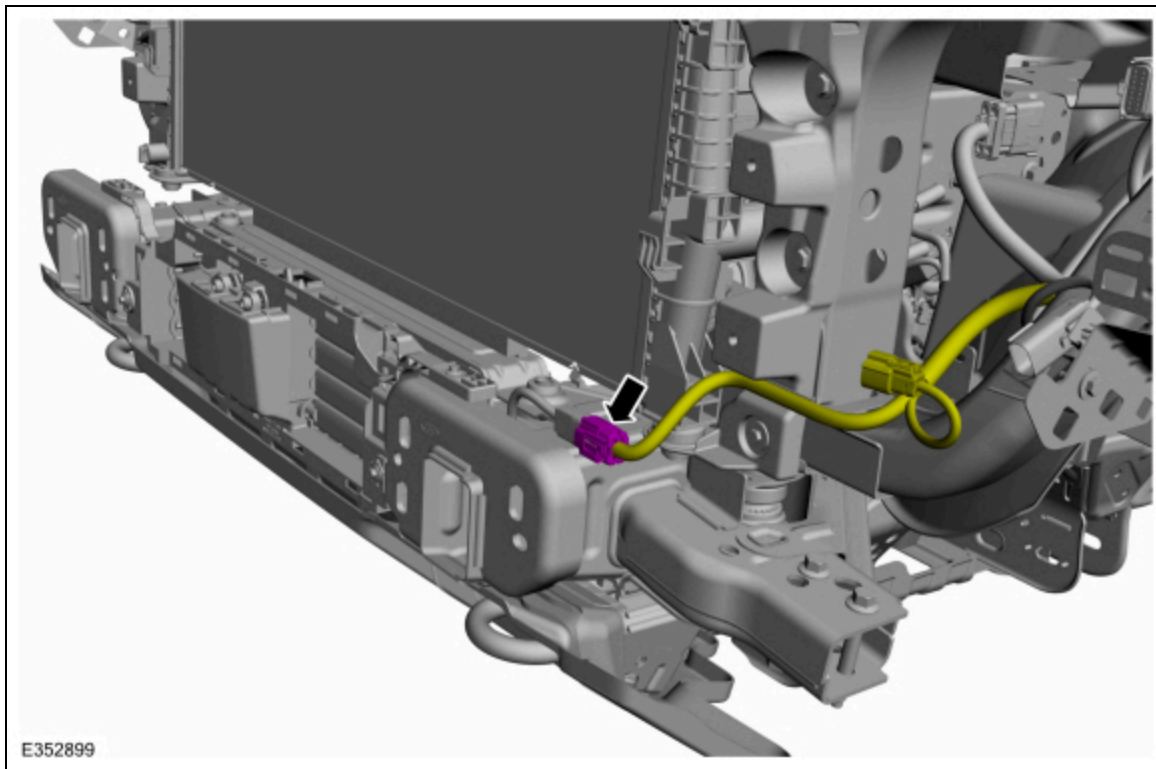


4. Remove the bolts and the upper active grille shutter unit.
Torque: 35 lb.in (4 Nm)

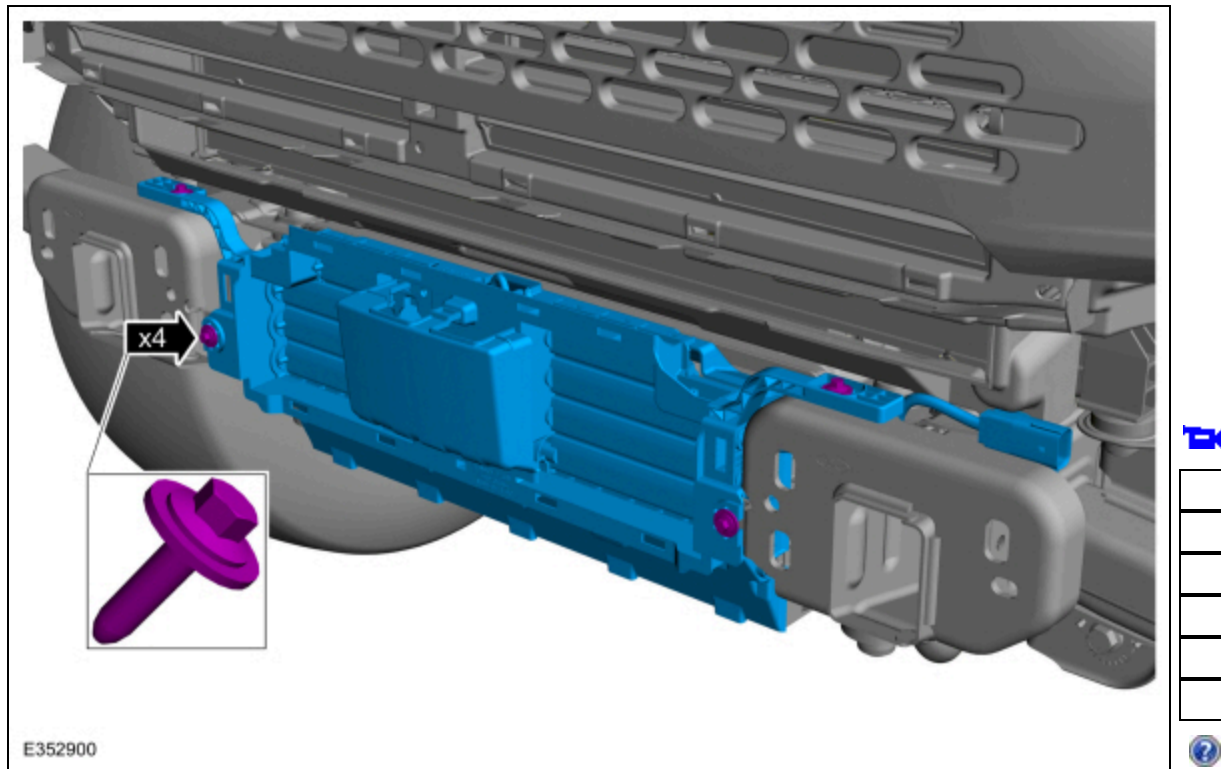


Lower active grille shutter

5. Remove the front bumper.
Refer to: [Front Bumper - Modular](#) (501-19 Bumpers, Removal and Installation).
6. Disconnect the lower active grille shutter actuator electrical connector.



- 7. Remove the bolts and the lower active grille shutter unit.
Torque: 62 lb.in (7 Nm)



Installation

1. To install, reverse the removal procedure.

© Copyright 2025, Ford Motor Company.

