

# EZ Bronco Extreme Trunk

**EZTRUNK™ ASSEMBLY**

# MANUAL

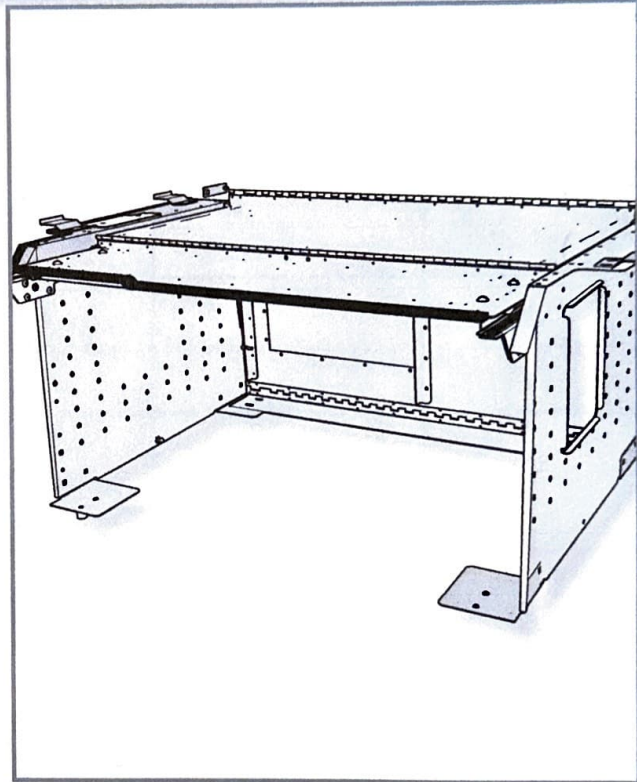
#5120 2023

## MAKE IT EZ

Print the latest manual  
Scan QR CODE for PDF MANUALS



140



Scan QR CODE  
for Video MANUALS



141

## Customer Service

*Any question? WE ARE HERE TO HELP!*

Text or Call **203-901-0055** / Call **203-591-9060**





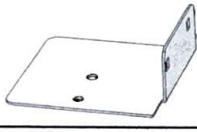
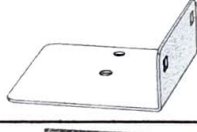
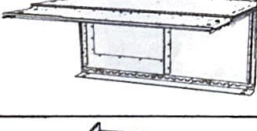











**EMAIL US: SERVICE@EZTRUNK.NET**

*7 days a week 8:30 am EST*

**WE CAN HELP YOU!**

PO#:

**BEFORE BEGINNING, SEE THE ASSEMBLY INSTRUCTION VIDEO ON [EZTRUNK.NET](http://EZTRUNK.NET)**

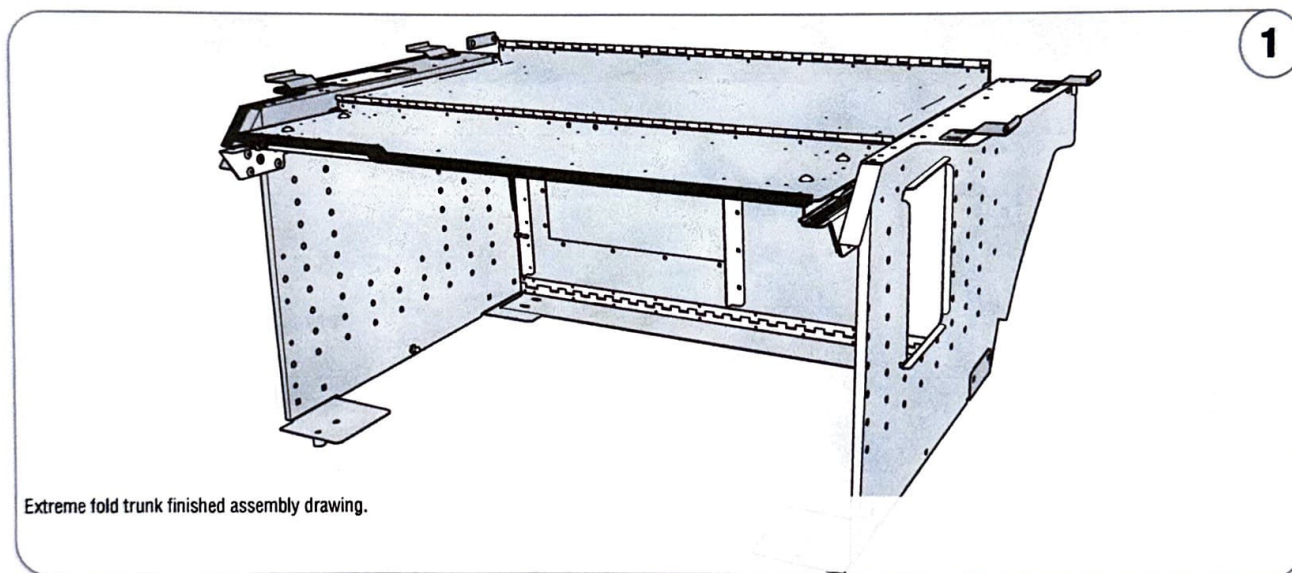
NO	Illustration	Description	Part#	QTY.
1		Driver Side Panel	51206401	1
2		Passenger Side Panel	51206402	1
3		Rear Bottom Plate - Driver	51206403	1
4		Front Bottom Plate - Driver	51206404	1
5		Rear Bottom Plate - Passenger	51206405	1
6		Front Bottom Plate - Passenger	51206406	1
7		Middle Folding Section	51206407	1
8		Mounting Bracket	51206408	4
9		Soft Top Bracket	51206409	1
10		Round Head Bolt M8x50 (2")	68501	4
11		screw M6	66131	8
12		Carriage Bolt M8	08204	8
13		Plastic Ring	P20820	2
14		Metal Washer M8	15801	12 + 2 extra
15		Washer M6	12601	8 + 1 extra
16		Nut M8	10082	8+ 1 extra
17		Wrench - Round Head Bolt T30	60030	1
18		Wrench	#10	1

**BEFORE BEGINNING, SEE THE ASSEMBLY INSTRUCTION VIDEO ON [EZTRUNK.NET](http://EZTRUNK.NET)**

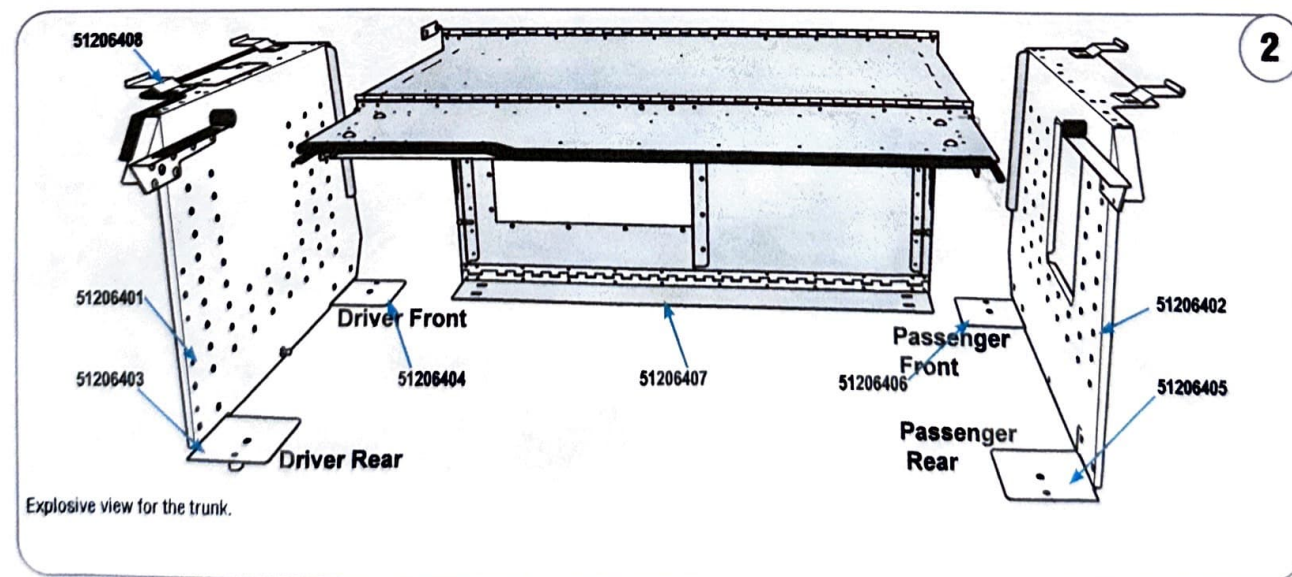
## RECOMMENDED TOOLS



#2 Phillips Screw Driver



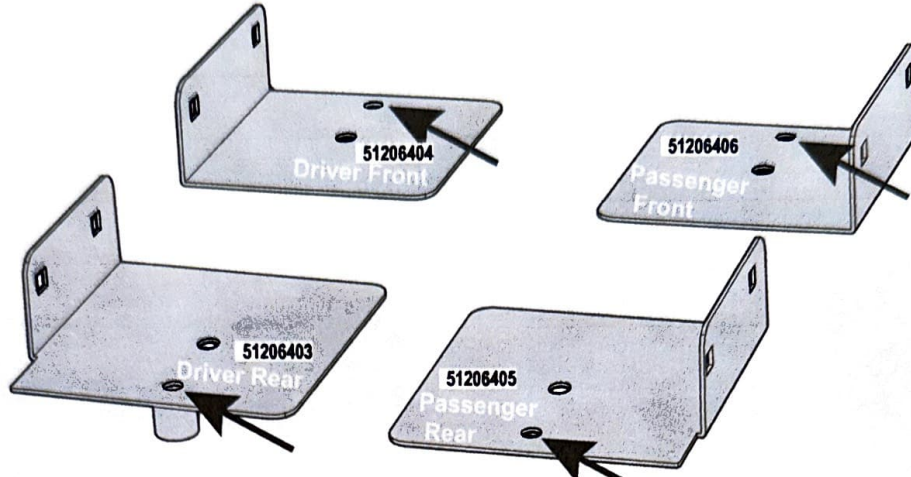
Extreme fold trunk finished assembly drawing.



Explosive view for the trunk.

# BEFORE BEGINNING, SEE THE ASSEMBLY INSTRUCTION VIDEO ON [EZTRUNK.NET](http://EZTRUNK.NET)

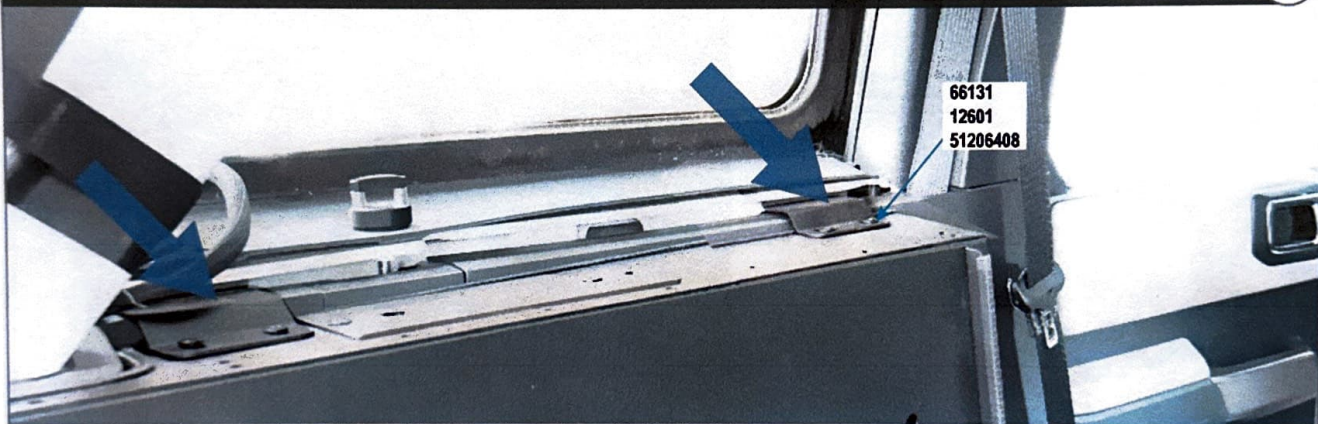
3



Details for the bottom panel. Front bottom panel side cut off. Rear bottom panel hole closest to end of edge.

## Driver Side

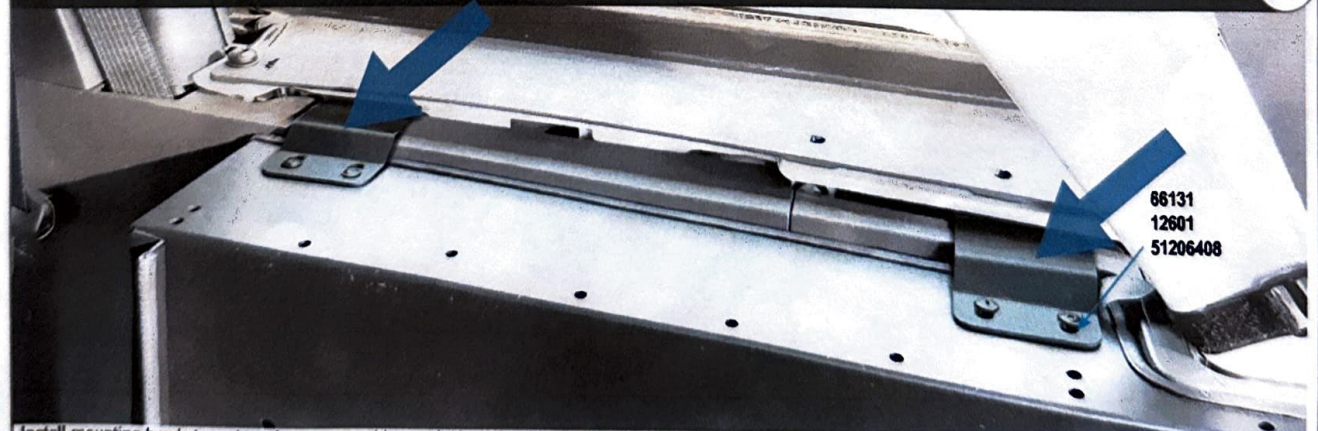
4



Install mounting brackets on top of driver side panel. Keep the side panel close to the side of the vehicle.

## Passenger Side

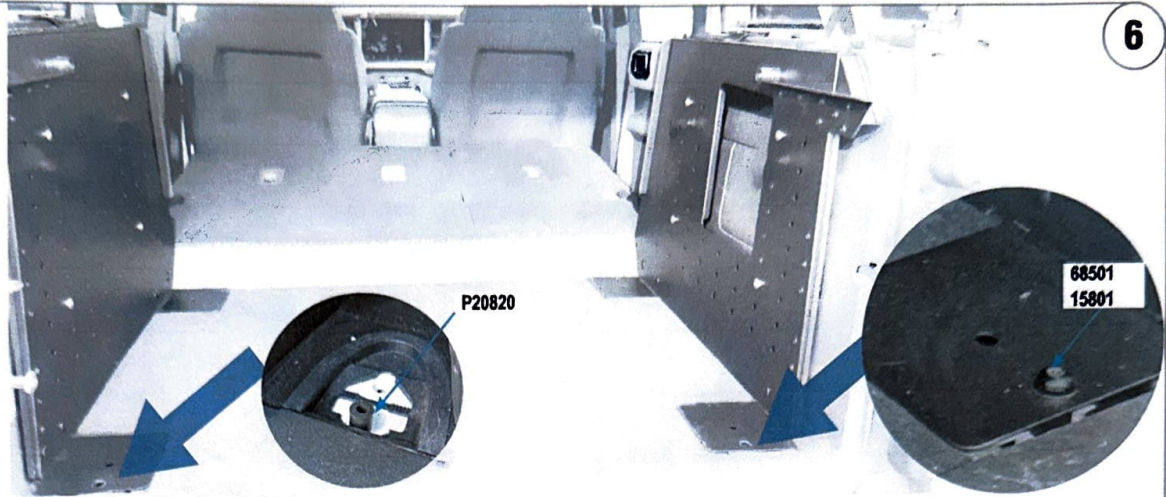
5



Install mounting brackets on top of passenger side panel. Keep the side panel close to the side of the vehicle.

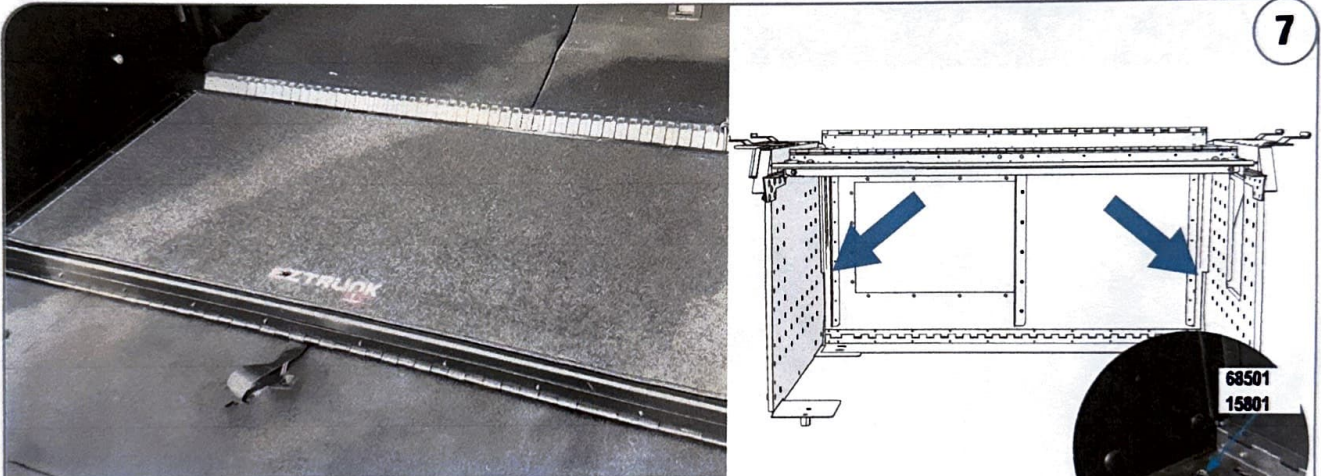
# BEFORE BEGINNING, SEE THE ASSEMBLY INSTRUCTION VIDEO ON [EZTRUNK.NET](http://EZTRUNK.NET)

6



Put the plastic ring under rear bottom plate where bolt hole.  
Install the bolts and washers in front bottom panel.

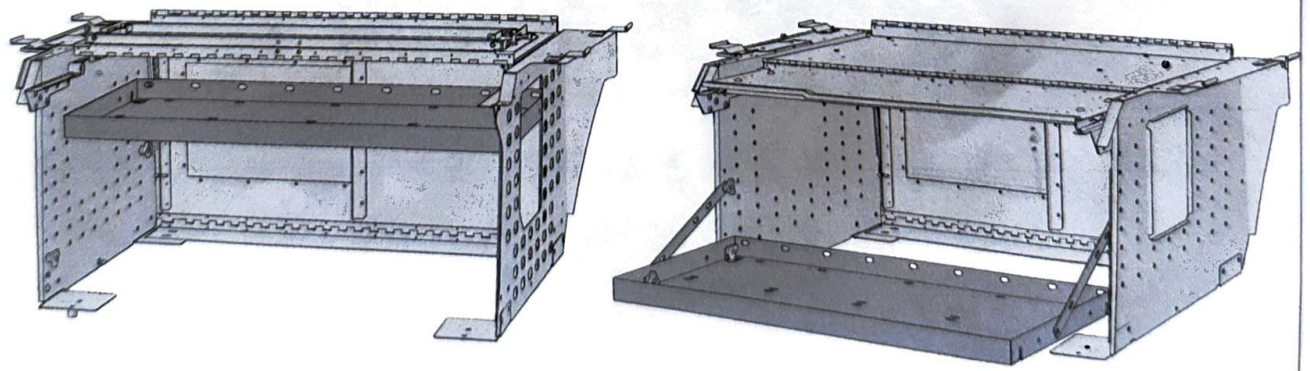
7



Carefully bring the middle section between the 2 side panels.  
Lift the middle section up and even the gap between to side panel both sides.  
Bolt the middle section and rear bottom panel together to vehicle.

## Shelf Option

8

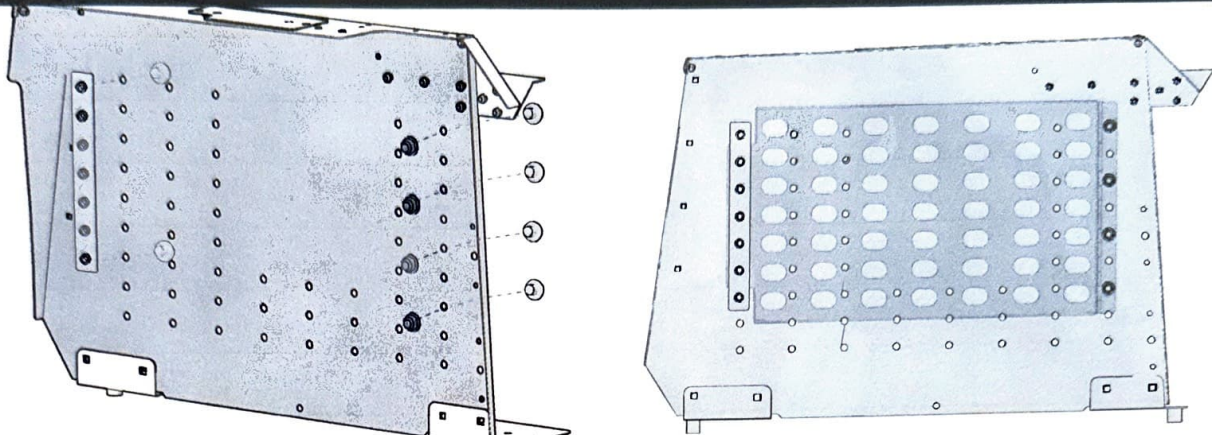


Shelf option works as tail table as drawing.

**BEFORE BEGINNING, SEE THE ASSEMBLY INSTRUCTION VIDEO ON [EZTRUNK.NET](http://EZTRUNK.NET)**

**Side Molle Panel Option**

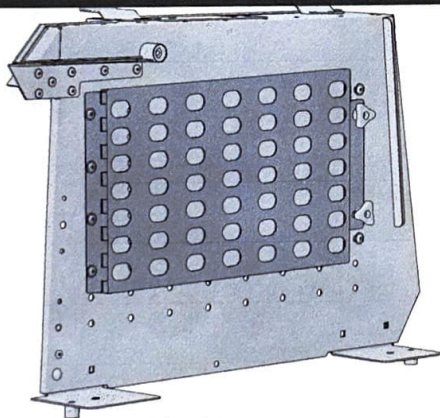
**12**



Install the nut plates and molle panel to side panels.

**Side Molle Panel Option**

**13**



Fix molle panel to side panels with 2 thumb turns.

# Customer Service

*Any question? WE ARE HERE TO HELP!*

**Text or Call 203-901-0055 / Call 203-591-9060**

**EMAIL US: [SERVICE@EZTRUNK.NET](mailto:SERVICE@EZTRUNK.NET)**

*7 days a week 8:30 am EST*

**WE CAN HELP YOU!**