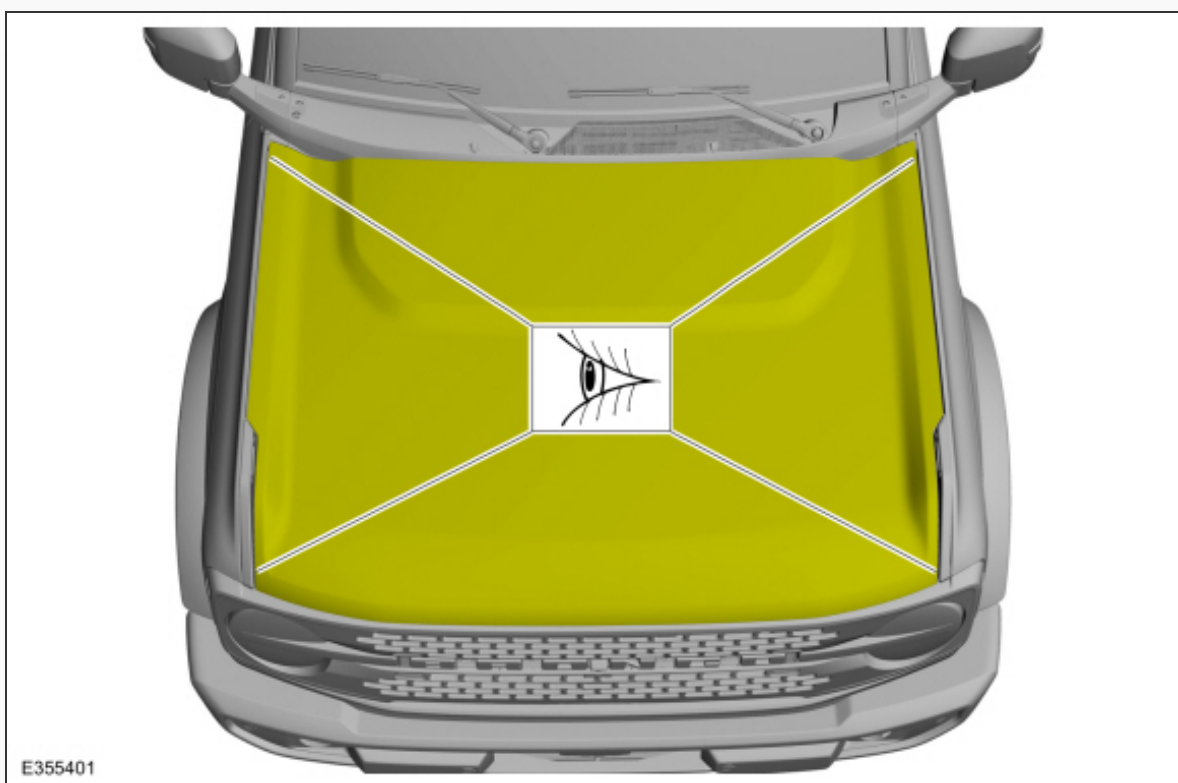




Hood Alignment

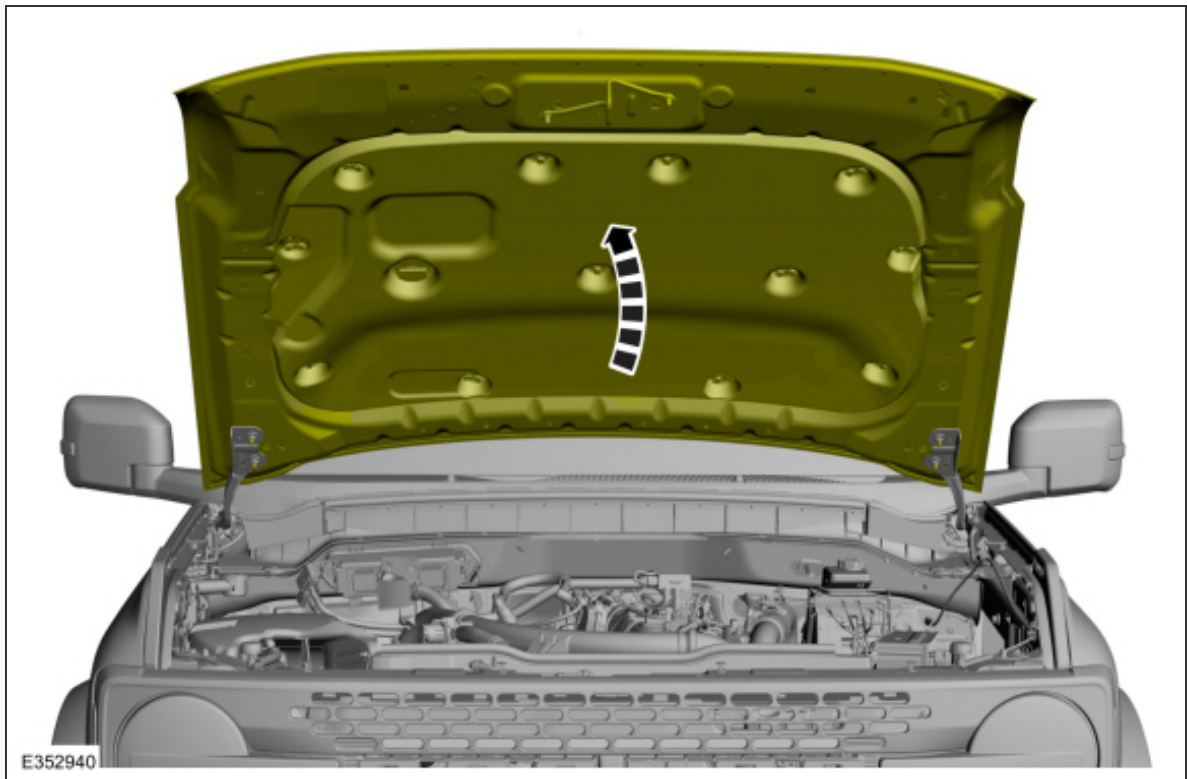
Inspection

1. Inspect the hood-to-body dimensions.



All alignments





3. Remove the hood latch.

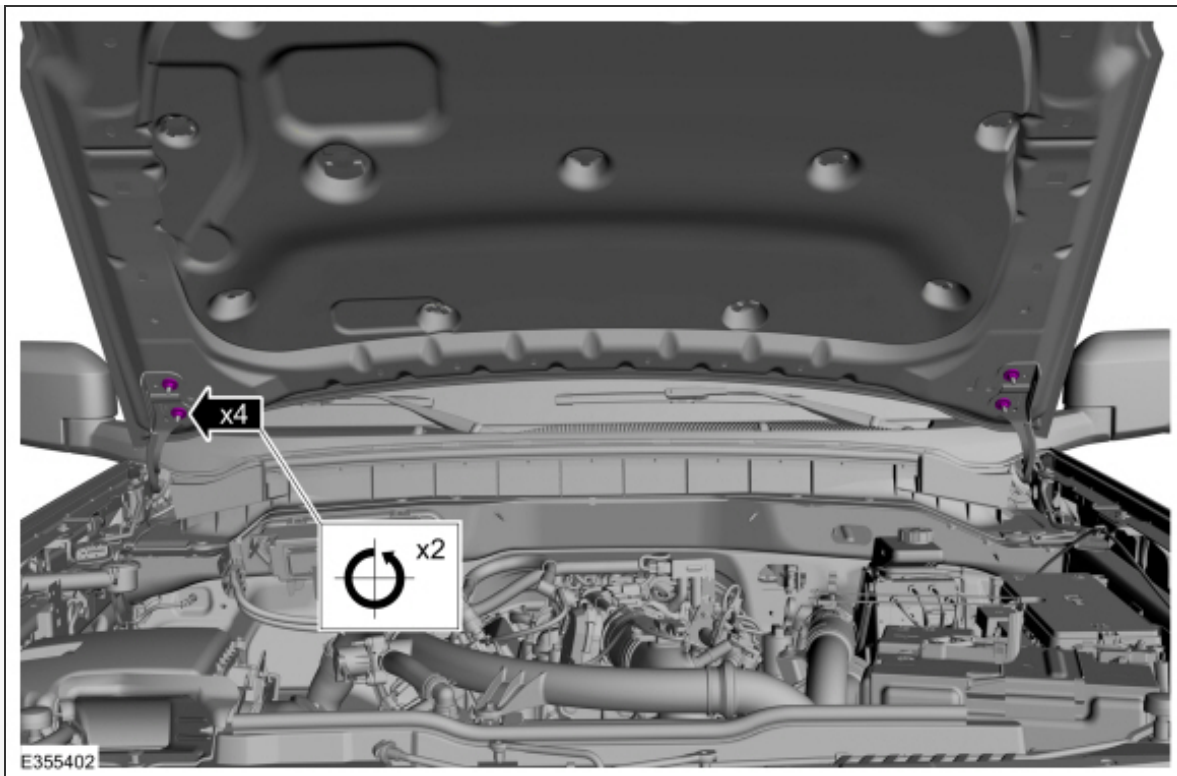
Refer to: [Hood Latch](#) (501-14 Handles, Locks, Latches and Entry Systems, Removal and Installation).

Hood fore and aft, left and right alignments

4. Loosen the nuts enough to permit movement of the hood.

Loosen:

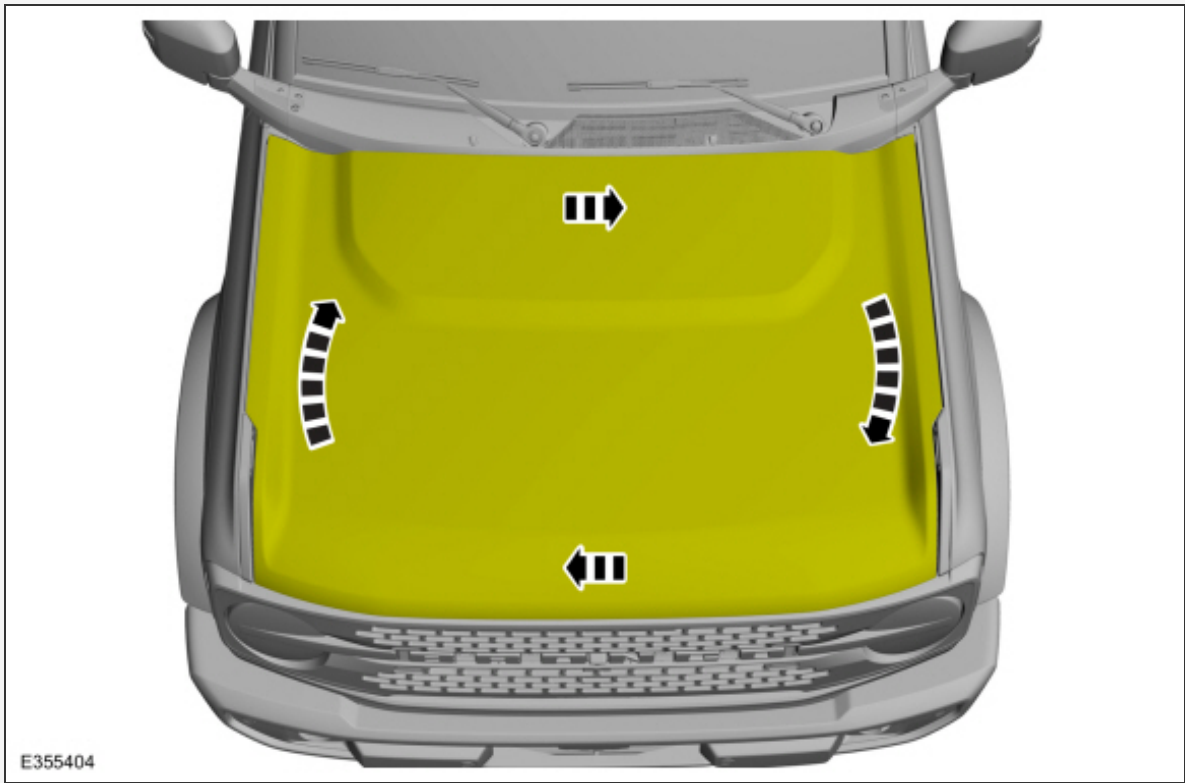
: 2 turn(s)



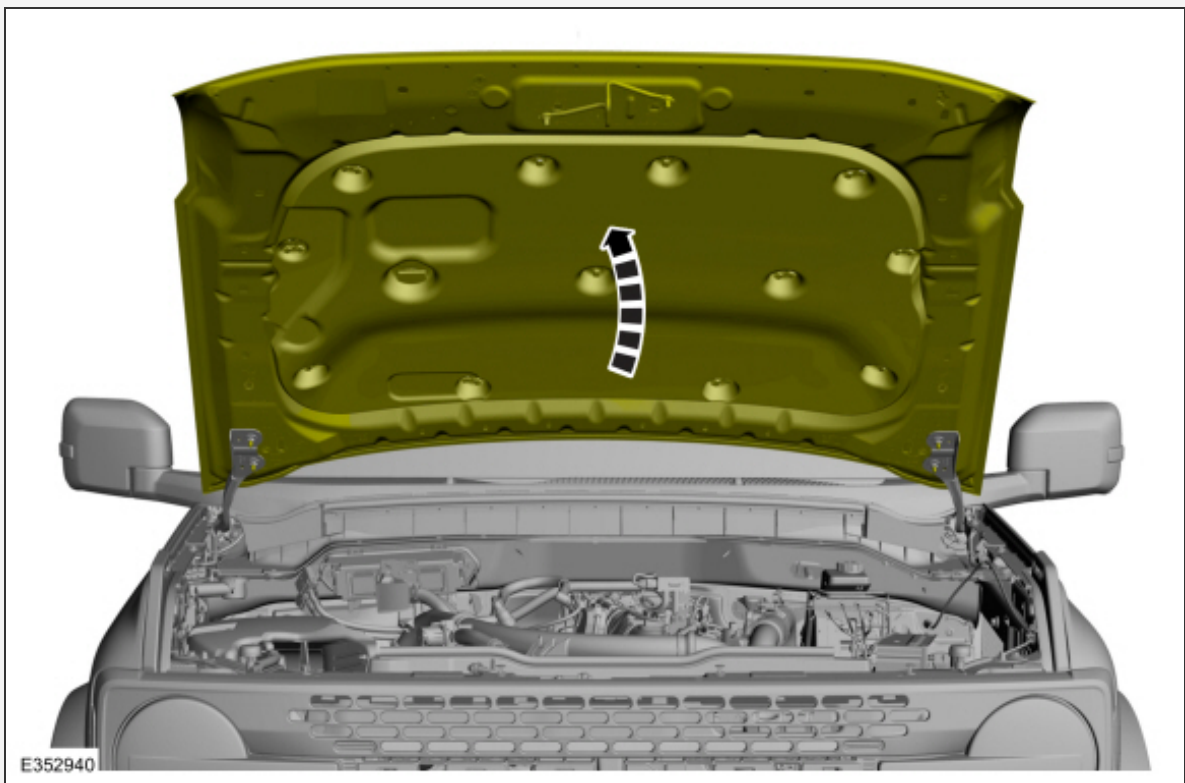
5. Carefully close the hood.



6. Adjust the hood as required.

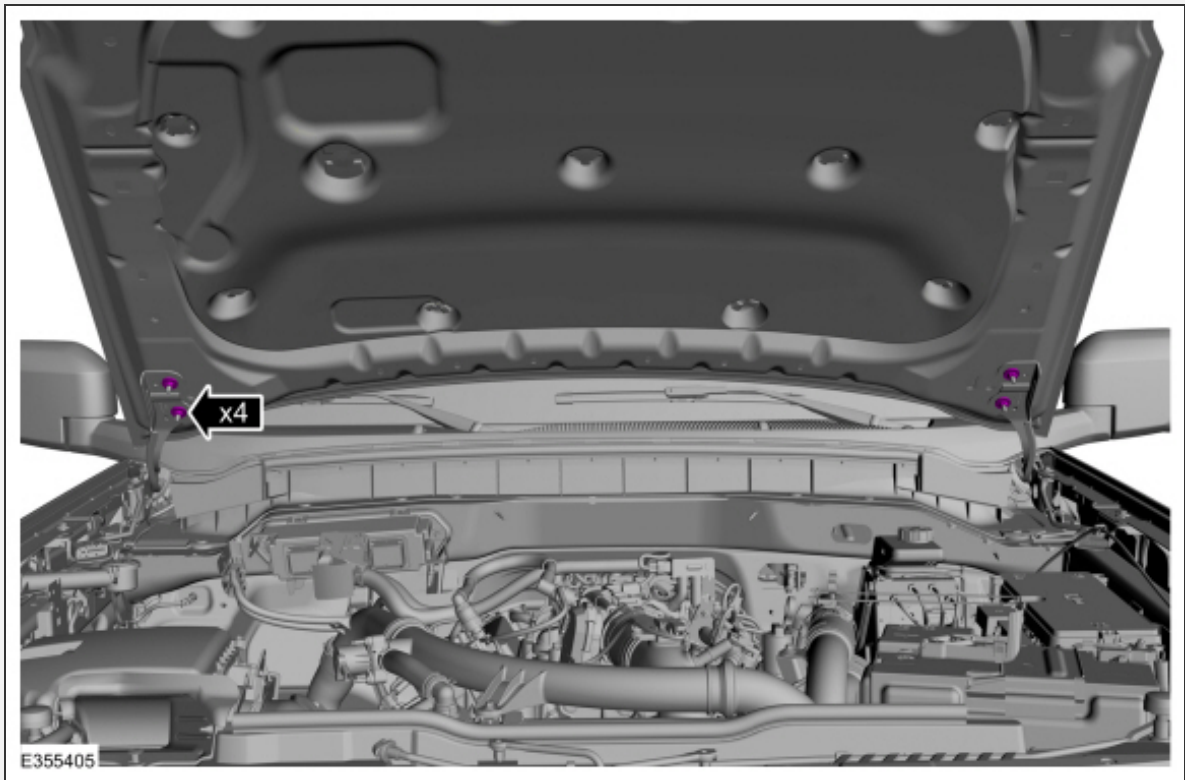


7. Carefully open the hood.



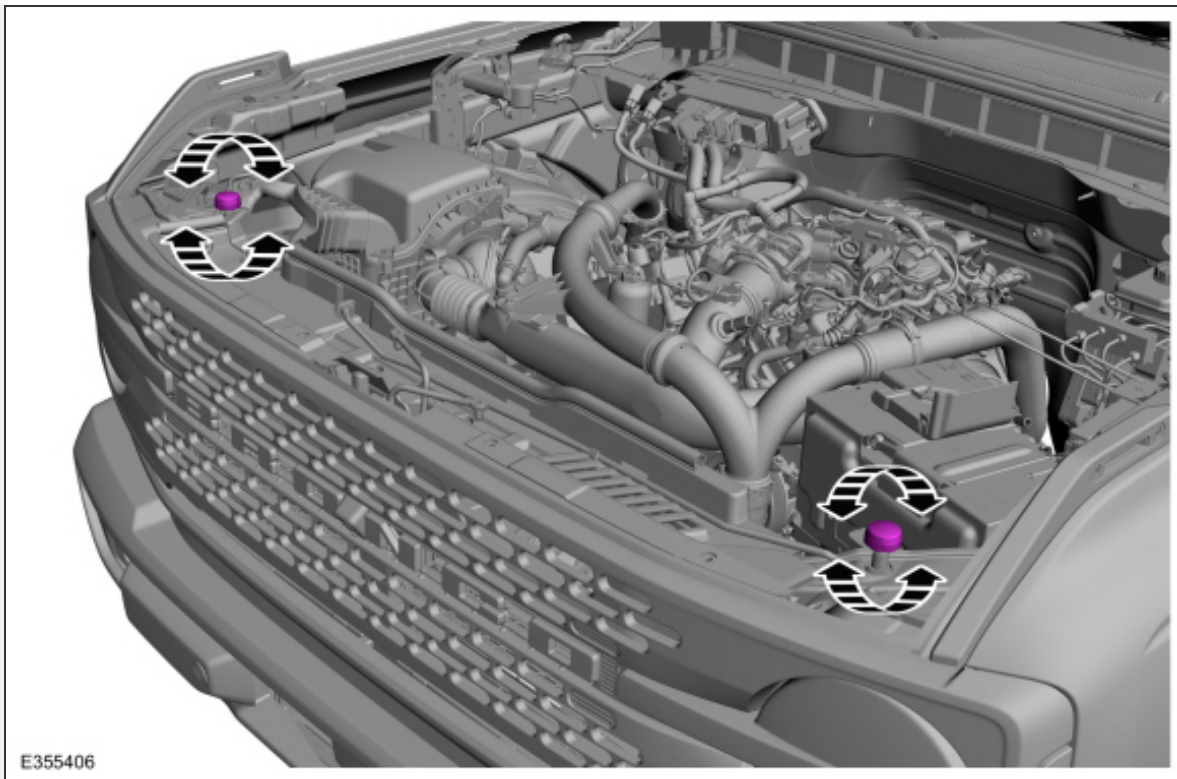
8. Tighten the nuts.

Torque: 18 lb.ft (25 Nm)



Hood front up and down alignments

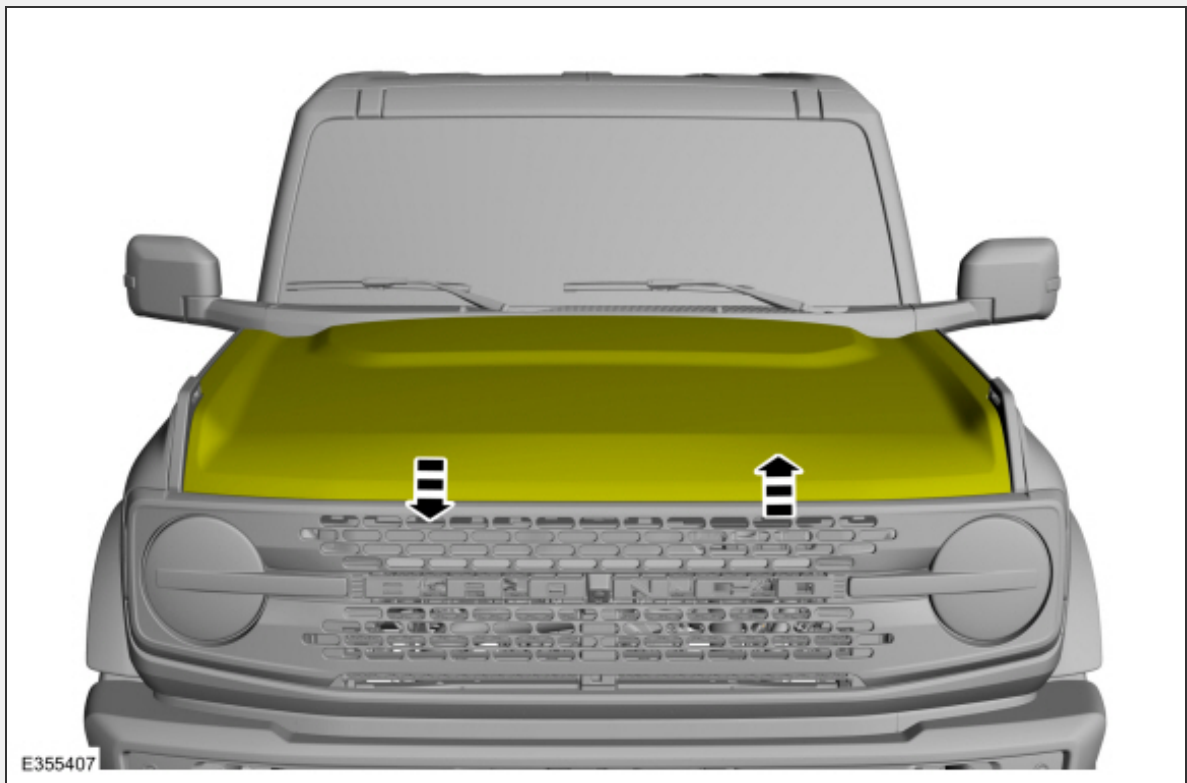
9. Adjust the bump stop rubbers.



10. Carefully close the hood.

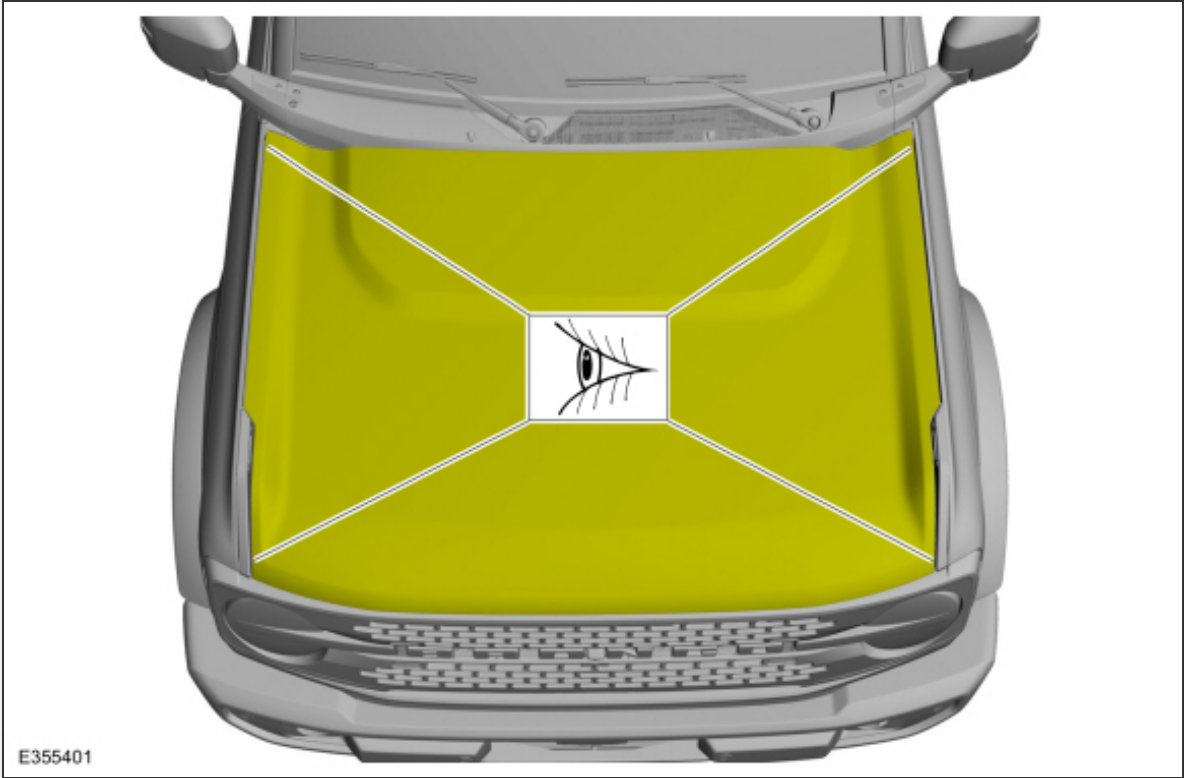


11. Adjust the hood as required.



All alignments

12. Install the hood latch.
Refer to: [Hood Latch](#) (501-14 Handles, Locks, Latches and Entry Systems, Removal and Installation).
13. Inspect the body-to-hood dimensions.



E355401

