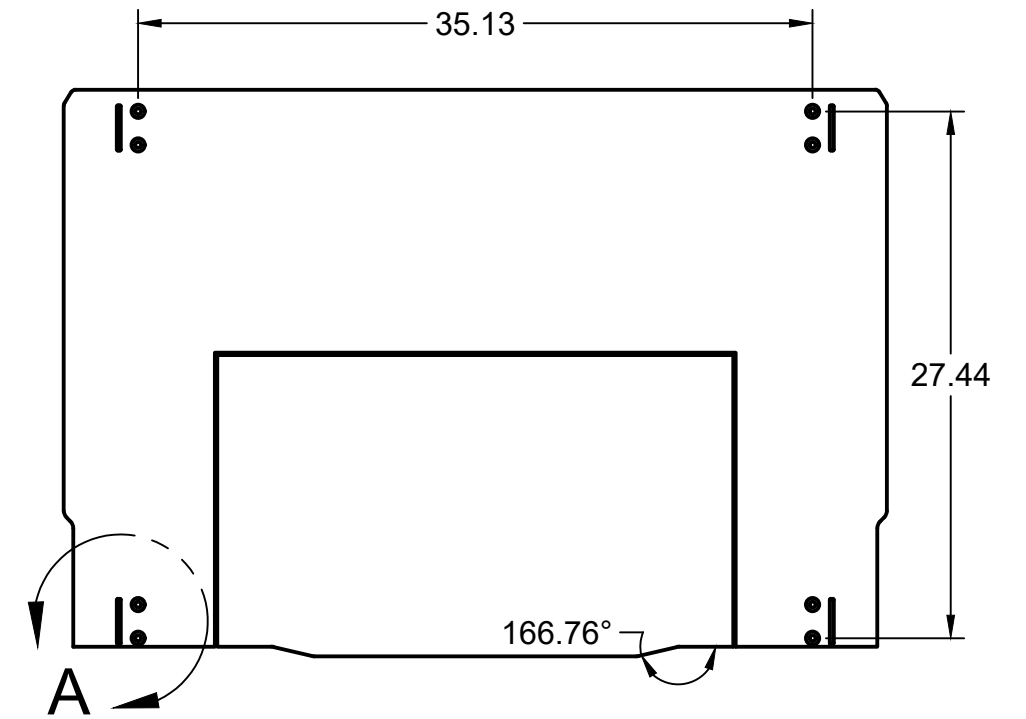
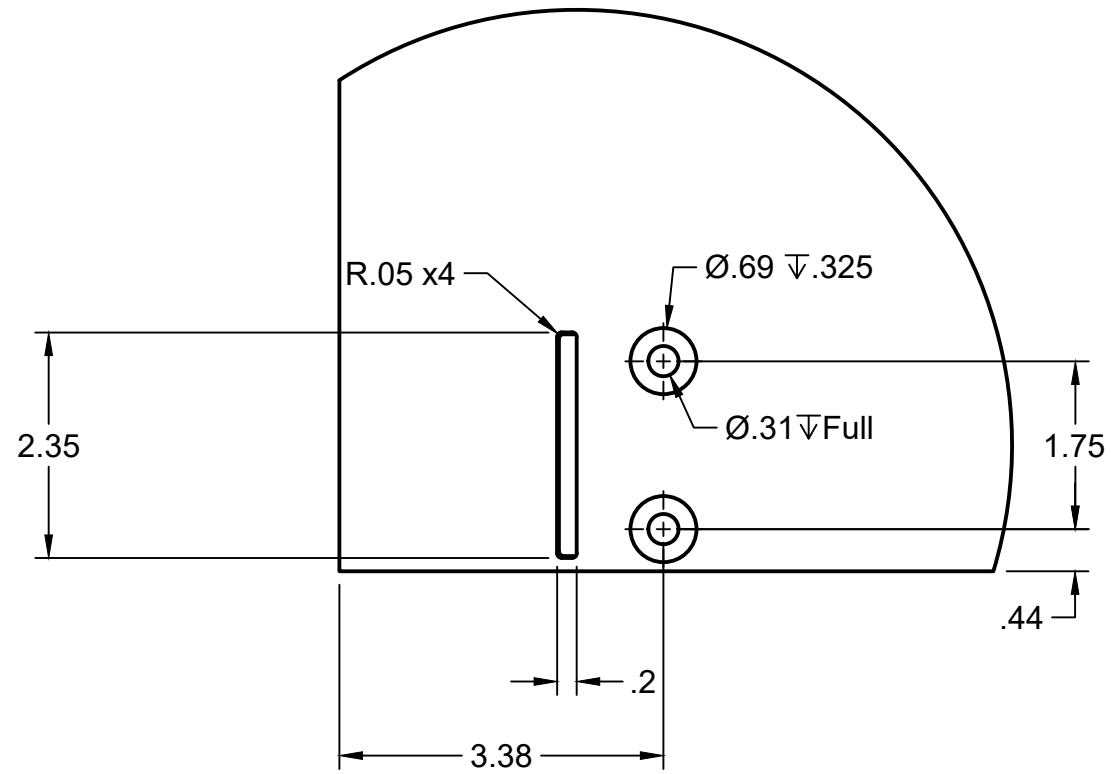


DETAIL A  
SCALE 1:2



DIMENSIONS ARE IN INCHES

TOLERANCES:

X= $\pm$ .100

ANGLES

XX= $\pm$ .050

X= $\pm$  1°

XXX= $\pm$ .020

ALL CONTENT is the intellectual property of ModCrate LLC. You have the right to copy and share all materials herein in any medium or format. You may not use materials for commercial purposes and you may not redistribute modified materials

PROJECT

Bronco Parts

TITLE

4DR Cargo Skid OTSS  
Open Trunk Storage SYSTEM

APPROVED RRC	4/03/2024	SIZE	CODE	DWG NO	REV
CHECKED RRC	4/03/2024	B			
DRAWN	Russell Cereola	4/3/2024	SCALE 1:16	WEIGHT	SHEET 1/1