

Brake System Pressure Bleeding - Vehicles With: Vacuum Brake Booster

Special Tool(s) / General Equipment

Brake/Clutch System Pressure Bleeder/Filler
Fluid Container

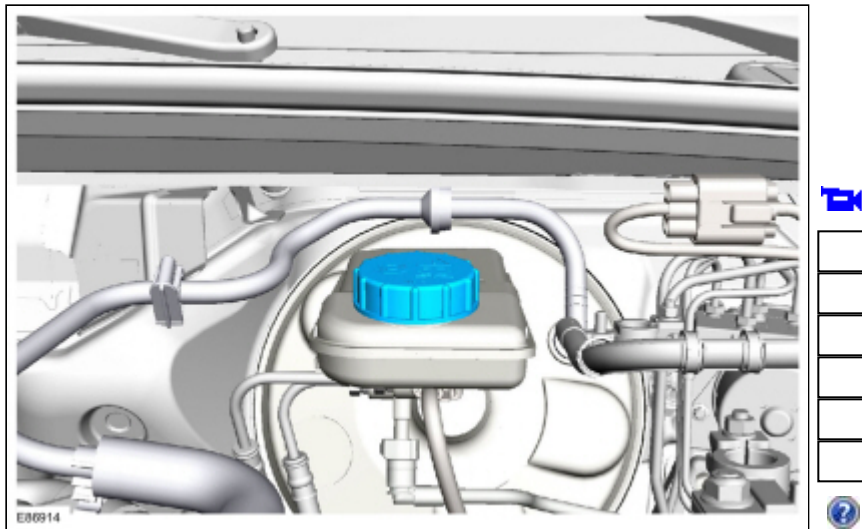
Bleeding

All vehicles

NOTICE: If the fluid is spilled on the paintwork, the affected area must be immediately washed down with cold water.

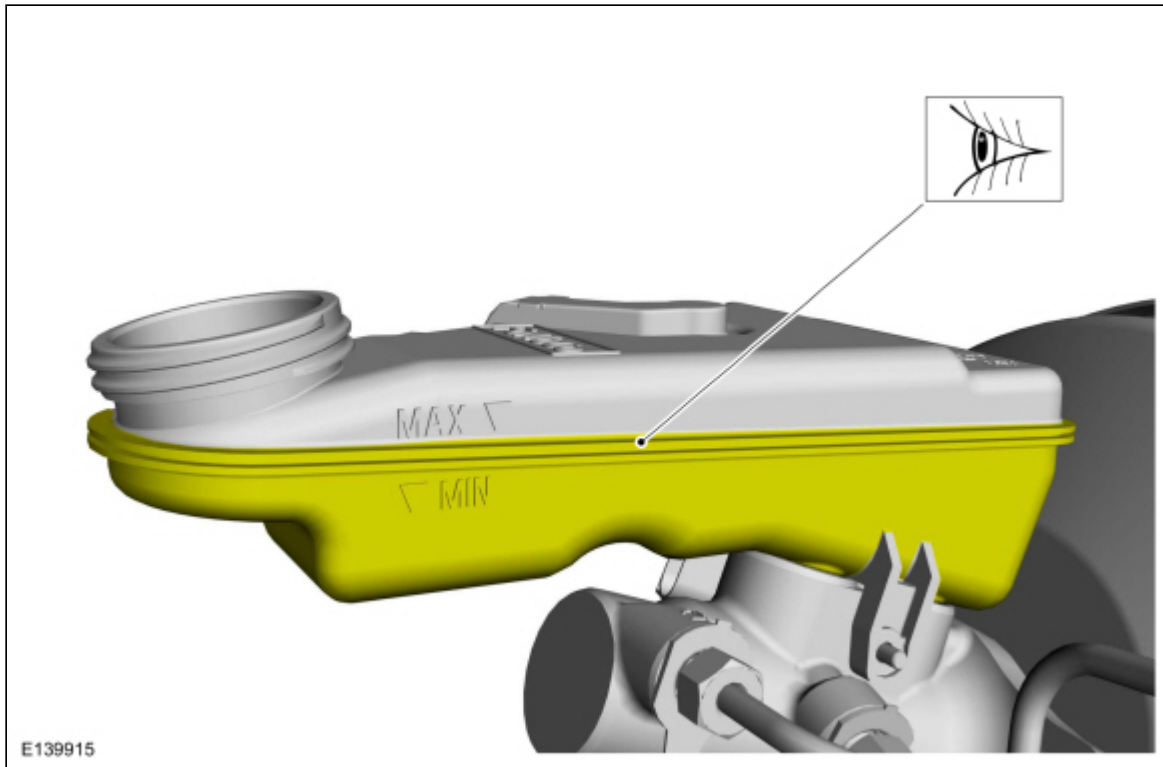
- NOTE:** Make sure the area around the master cylinder cap is clean and free of foreign material.

Remove the brake fluid reservoir cap.



- Make sure the fluid reservoir is filled with clean specified brake fluid.
Refer to: [Specifications](#) (206-00 Brake System - General Information, Specifications).





3. 1. **NOTE:** Master cylinder pressure bleeder adapter tools are available from various manufacturers of pressure bleeding equipment. Follow the instructions of the manufacturer when installing the adapter.

Install the bleeder adapter to the brake master cylinder reservoir and attach the bleeder tank hose to the fitting on the adapter.

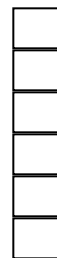
Use the General Equipment: Brake/Clutch System Pressure Bleeder/Filler

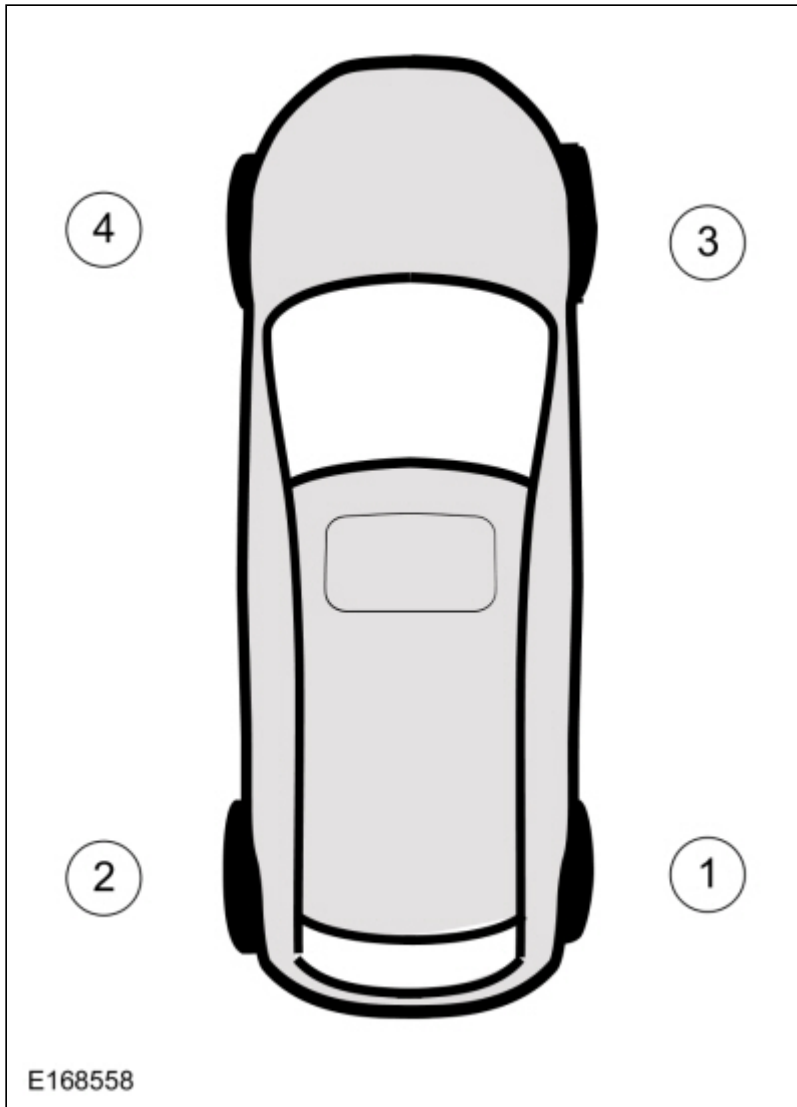
2. **NOTE:** Make sure the bleeder tank contains enough clean, specified brake fluid to complete the bleeding operation.

Open the valve on the bleeder tank and apply 207-345 kPa (30-50 psi) to the brake system.

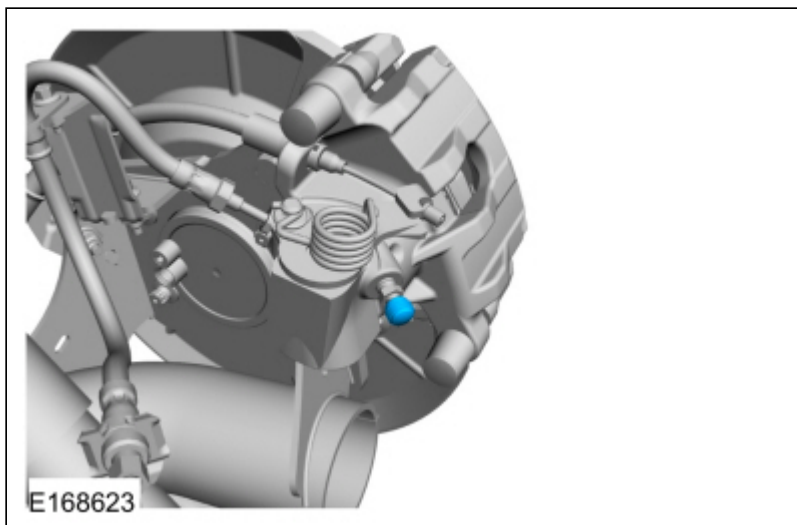
4. Refer to: [Jacking and Lifting](#) (100-02 Jacking and Lifting, Description and Operation).

5. Bleeding steps must be followed in the order indicated in the graphic.

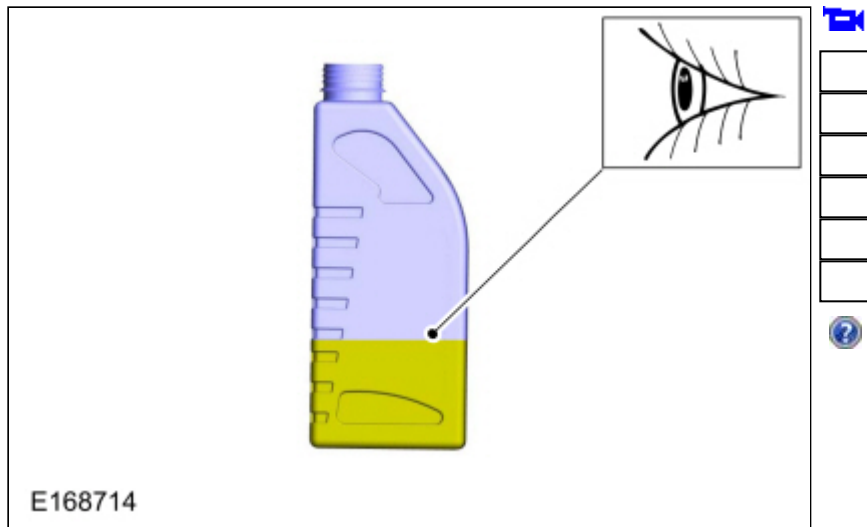




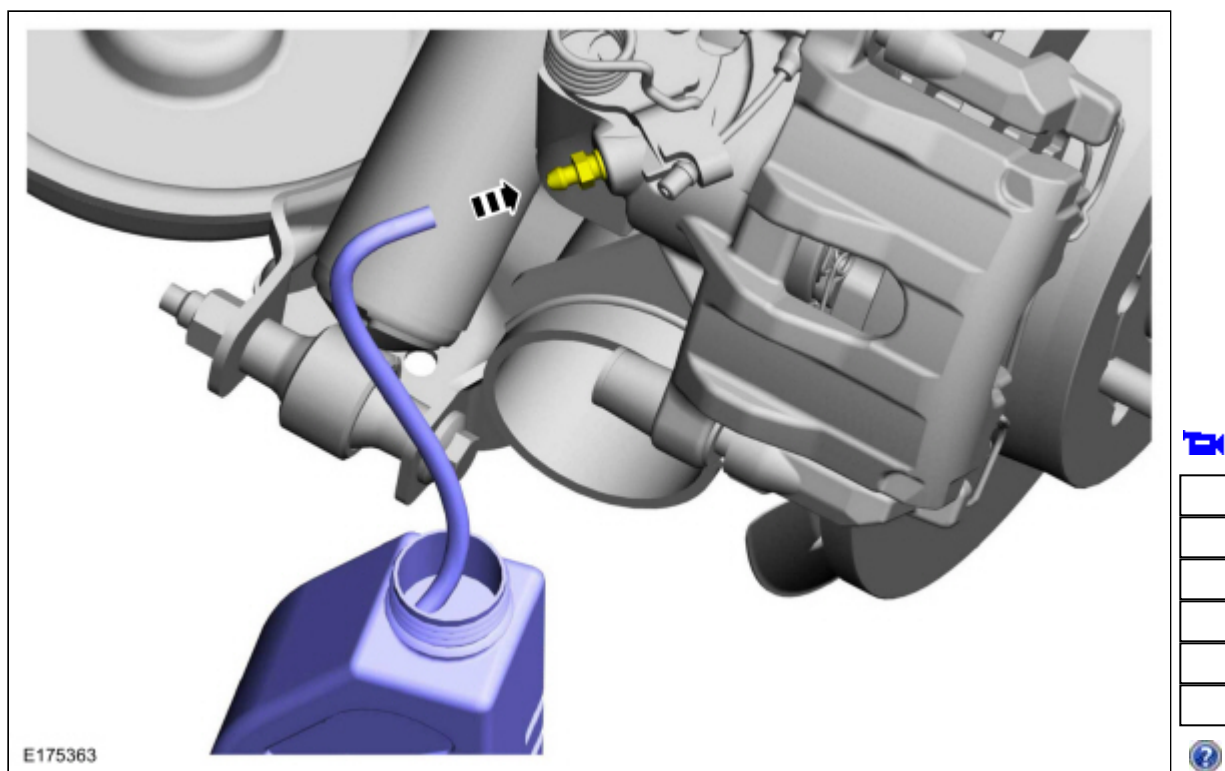
- 6. If equipped,
Remove the bleeder screw cap.



- 7. Partially fill a clean brake fluid container with clean specified brake fluid.
Refer to: [Specifications](#) (206-00 Brake System - General Information, Specifications).
Use the General Equipment: Fluid Container



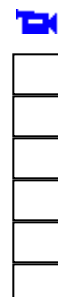
8. Submerge a hose into the brake fluid in the container and connect the hose to bleeder screw.

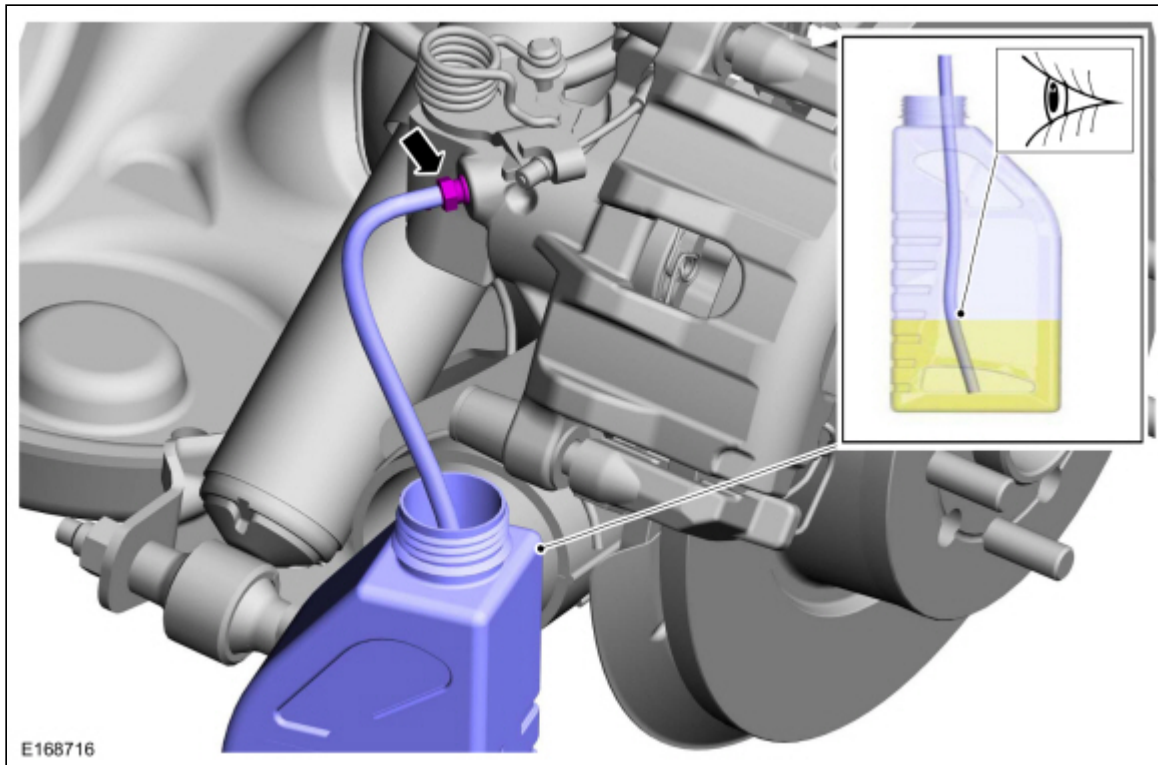


9. 1. Loosen the bleeder screw.

Loosen:
: 180°

2. Leave open until clear, bubble-free brake fluid flows, then tighten the bleeder screw.

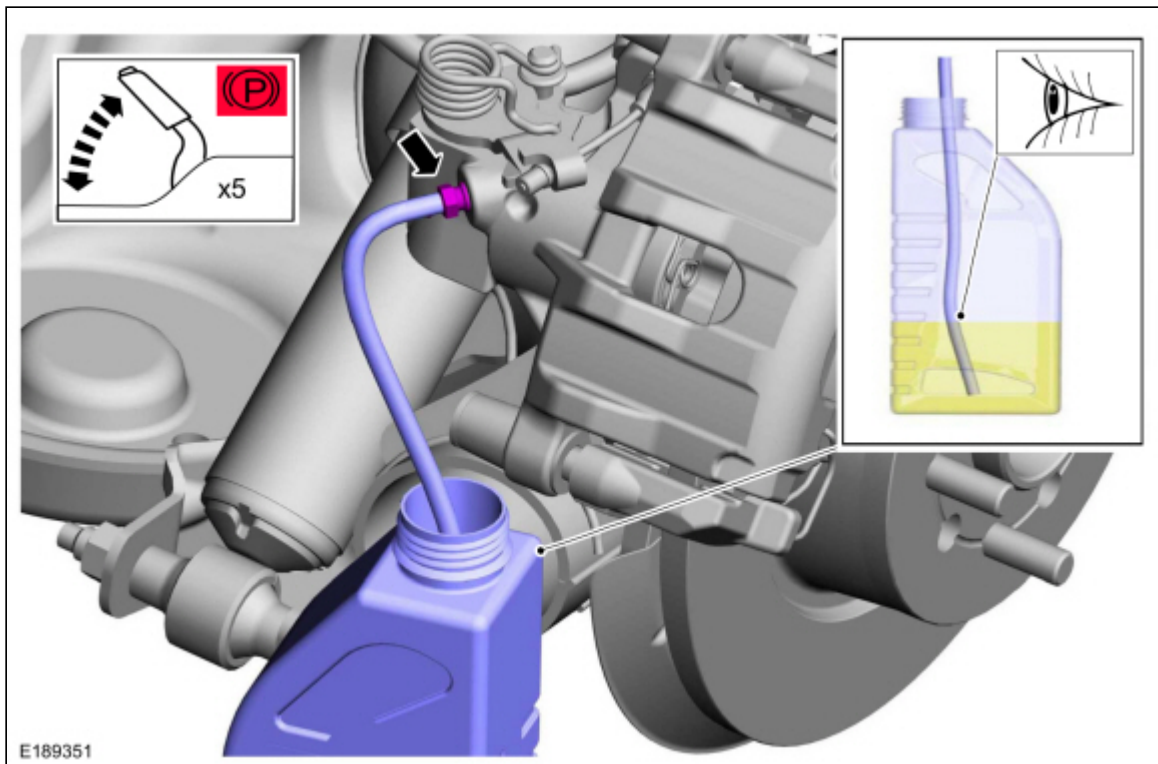




Vehicles with rear integral parking brake calipers

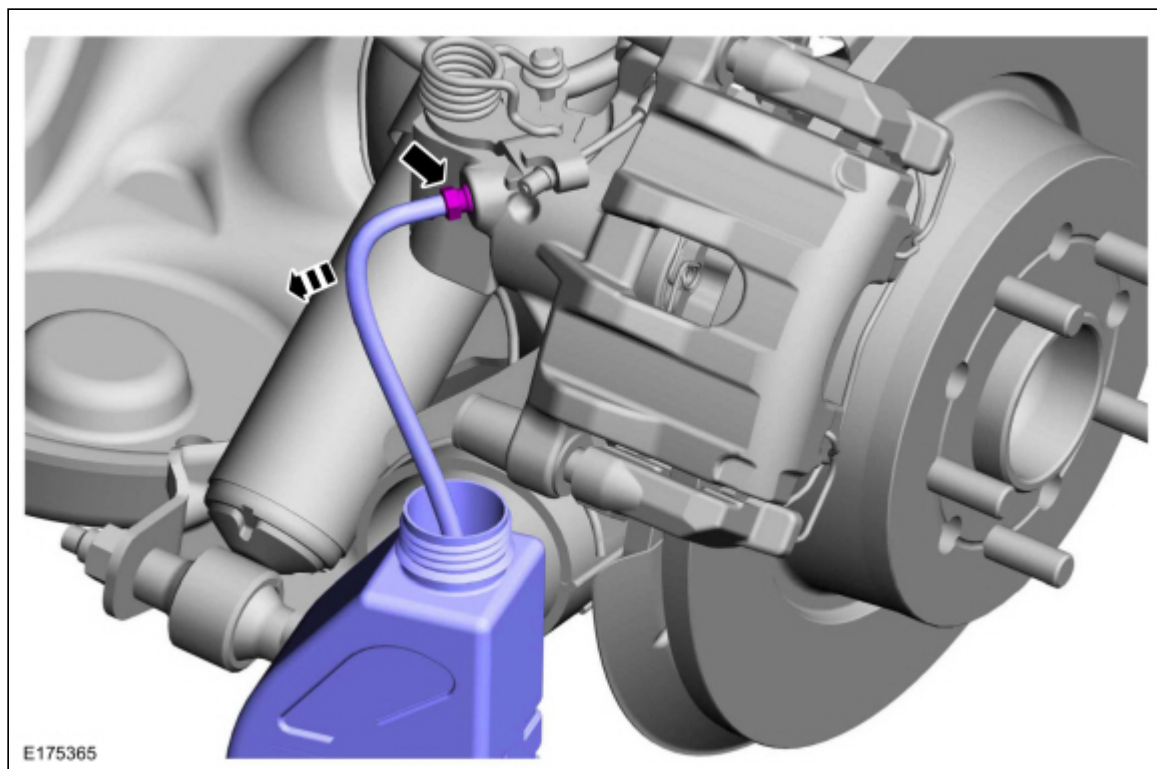
10. **NOTE:** Due to the complexity of the fluid path within the rear integral parking brake calipers, it is necessary to apply and release the parking brake during the bleed procedure.

1. Apply and release the parking brake 5 times.
2. Loosen: 180°
3. Leave open until clear, bubble-free fluid flows and then tighten the bleeder screw.
4. Repeat as necessary.

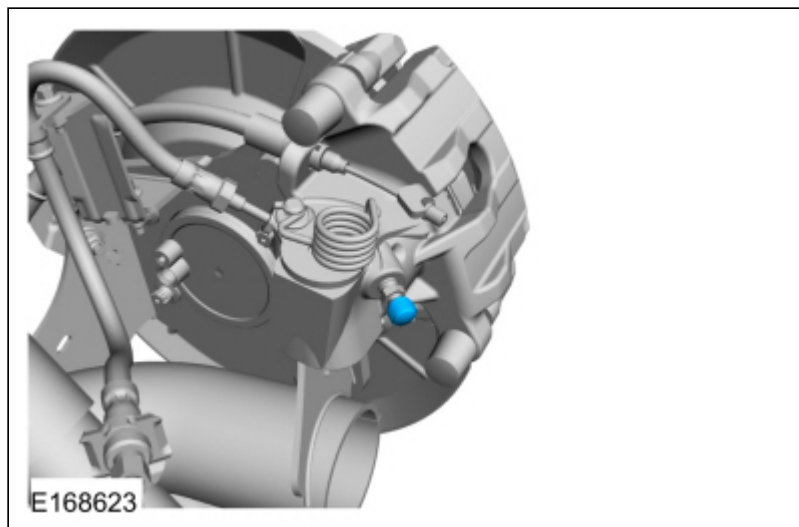


All vehicles

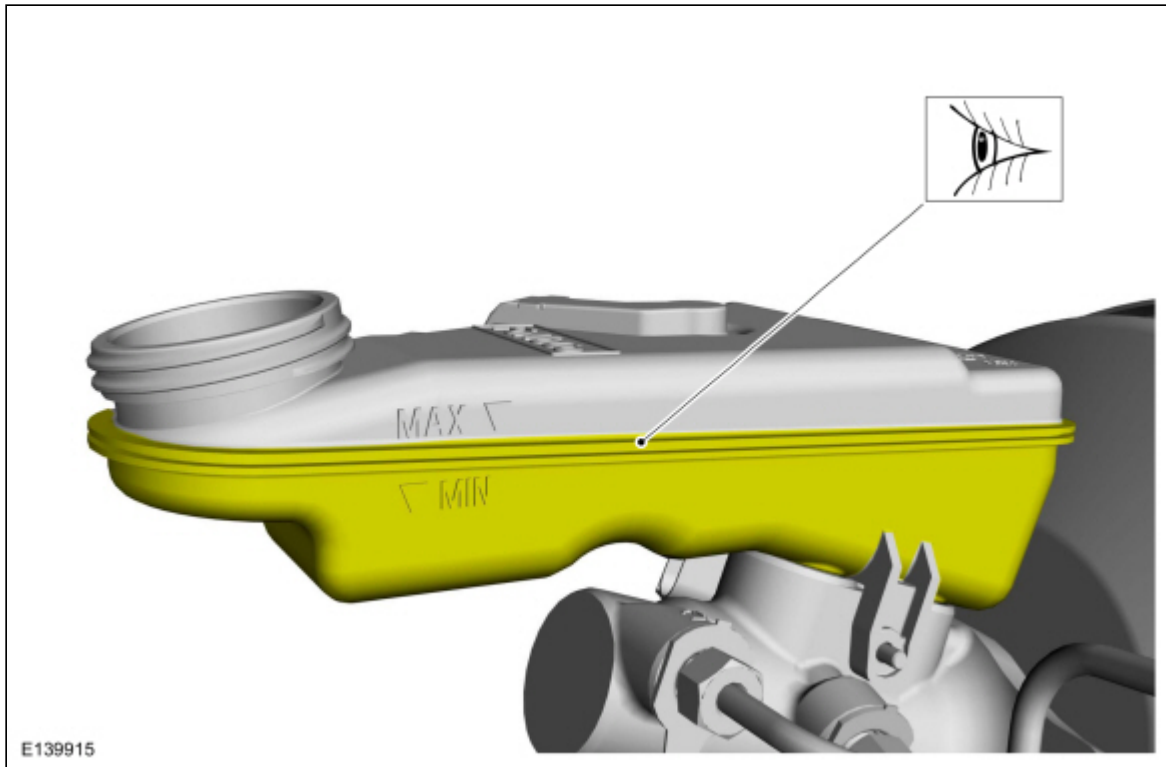
11. 1. Tighten the bleeder screw to specification.
Refer to: [Specifications](#) (206-00 Brake System - General Information, Specifications).



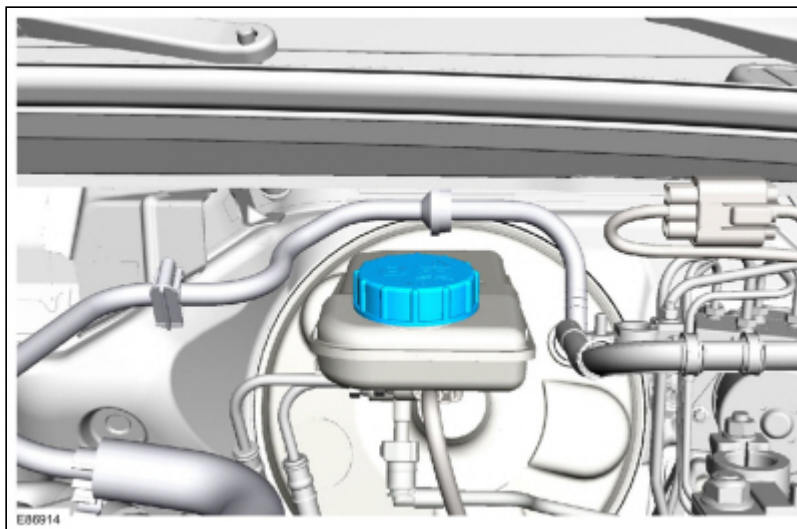
12. If equipped,
Install the bleeder screw cap.



13. Go to step 7 and repeat the bleeding steps at the remaining wheel ends.
14. Lower the vehicle.
15. Close the bleeder tank valve and release the pressure.
Remove the General Equipment: Brake/Clutch System Pressure Bleeder/Filler
16. Fill the reservoir with clean, specified brake fluid.
Refer to: [Specifications](#) (206-00 Brake System - General Information, Specifications).



17. Install the brake fluid reservoir cap.



18. Apply the brake pedal several times to verify correct brake system operation.

© Copyright 2022, Ford Motor Company.

