

## Rear Door Window Glass - 5-Door

### Special Tool(s) / General Equipment

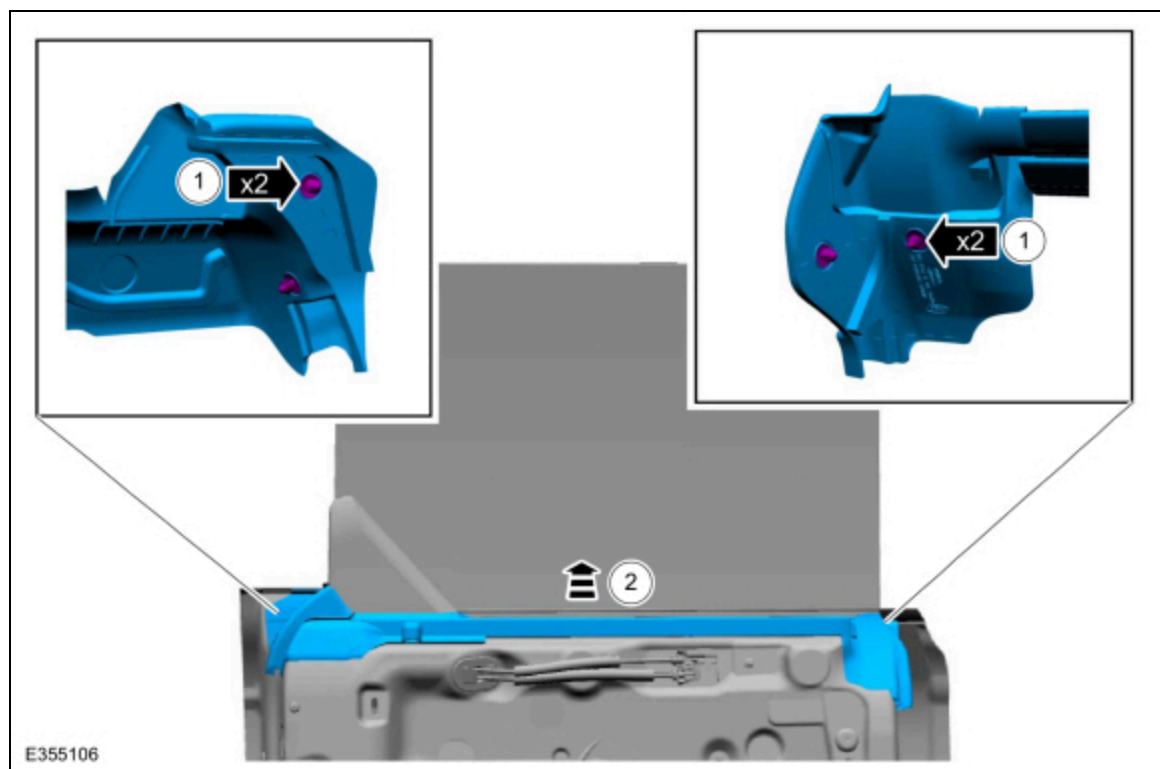
Flat Headed Screw Driver

### Removal

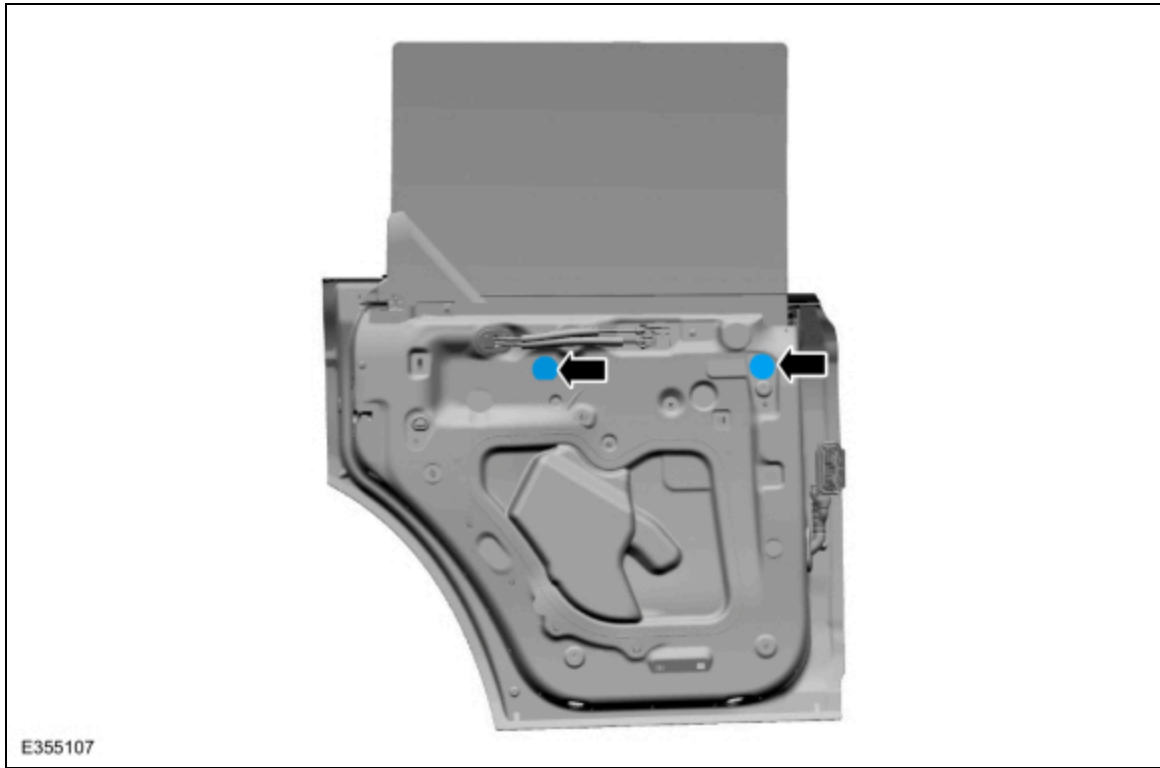
**NOTE:** Left hand (LH) shown, right hand (RH) similar.

**NOTE:** Removal steps in this procedure may contain installation details.

1. Remove the rear door trim panel.  
Refer to: [Rear Door Trim Panel](#) (501-05 Interior Trim and Ornamentation, Removal and Installation).
2. Remove the rear door window glass inner belt moulding.
  1. Release the retaining clips.
  2. Remove the rear door window glass inner belt moulding.



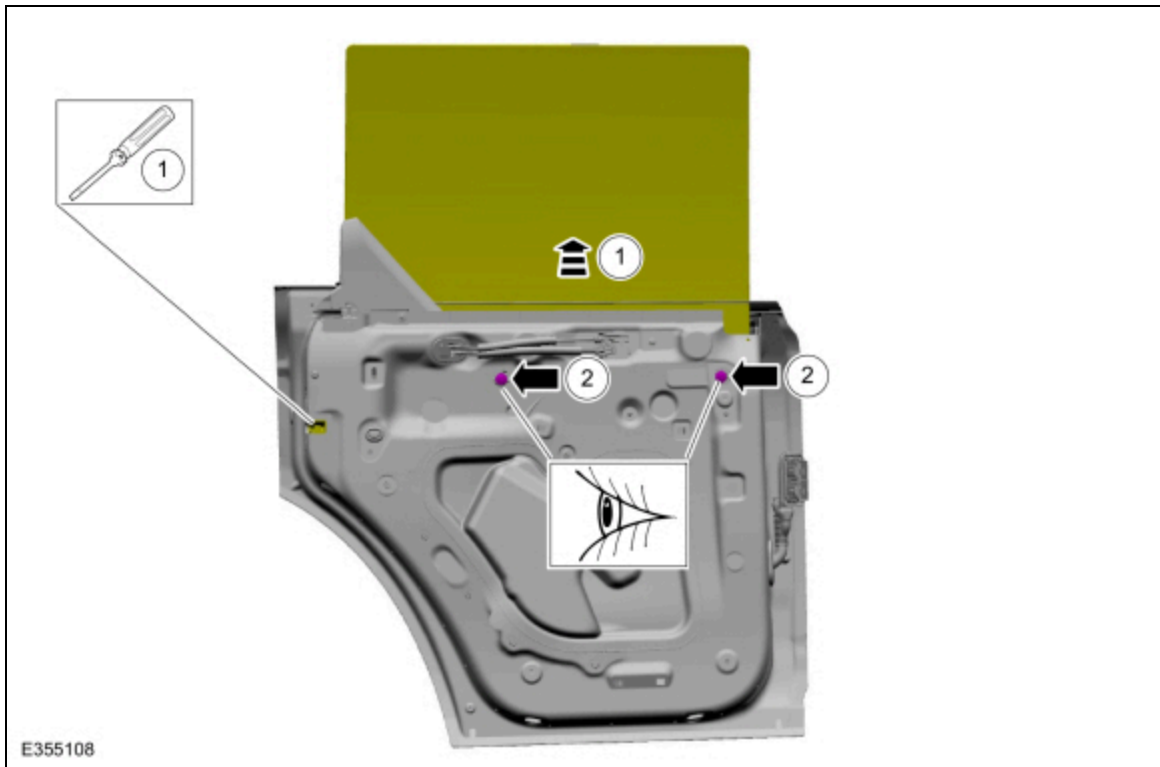
3. Remove the rear door window glass adhesive covers.



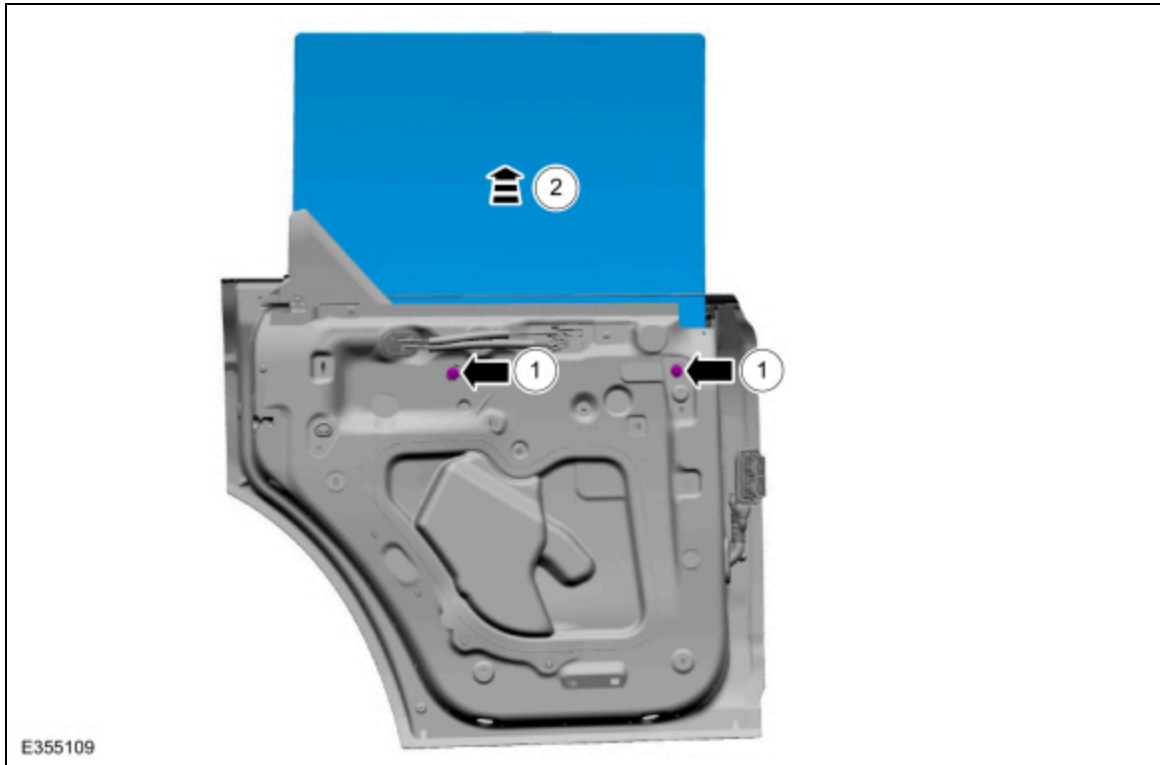
4. **NOTICE:** Make sure to release the rear door latch to the open position before closing the rear door. Damage to the rear door latch may occur.

Raise and align the rear door window glass.

1. Position the rear door latch into the closed position and the rear door window glass will raise to the full up position  
Use the General Equipment: Flat Headed Screw Driver
2. Confirm the rear door window glass screws are aligned with the access openings.



5. Remove the rear door window glass.
  1. Remove the bolts.  
*Torque: 93 lb.in (10.5 Nm)*
  2. Remove the rear door window glass.



### Installation

1. To install, reverse the removal procedure.
2. Check the rear door window glass alignment.  
Refer to: [Rear Door Window Glass Adjustment](#) (501-11 Glass, Frames and Mechanisms, General Procedures).
3. Carry out the power door window initialization.  
Refer to: [Power Door Window Initialization](#) (501-11 Glass, Frames and Mechanisms, General Procedures).

© Copyright 2024, Ford Motor Company.