

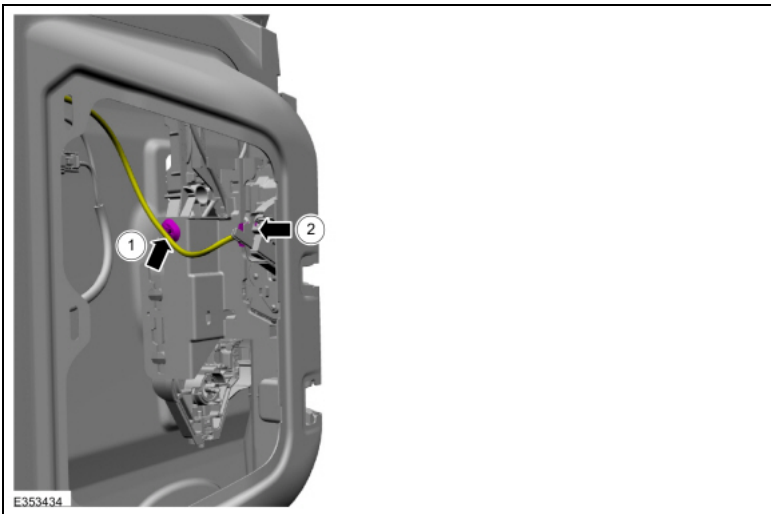
Tailgate Latch



Removal

NOTE: Removal steps in this procedure may contain installation details.

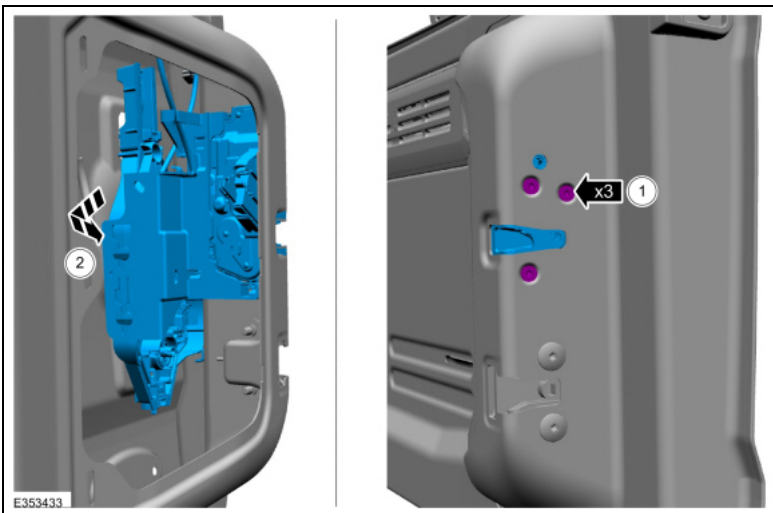
1. Remove the left liftgate trim panel.
Refer to: Liftgate Trim Panel (501-05 Interior Trim and Ornamentation, Removal and Installation).
2. Remove the tailgate release handle.
Refer to: Tailgate Release Handle (501-14 Handles, Locks, Latches and Entry Systems, Removal and Installation).
3. Disconnect the tailgate latch electrical connector.
 1. Release the harness routing clip.
 2. Disconnect the tailgate latch electrical connector.



4. Remove the screw from the tailgate release handle reinforcement.
Torque: 62 lb.in (7 Nm)



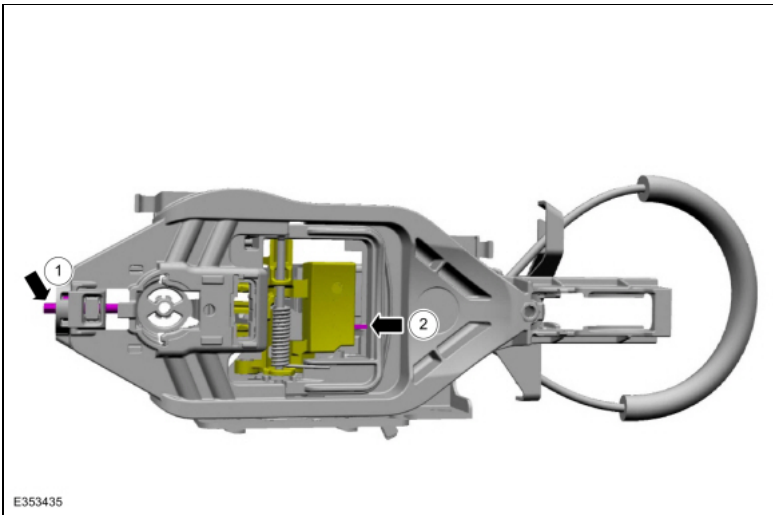
5. Remove the tailgate latch.
1. Remove the tailgate latch bolts.
Torque: 71 lb.in (8 Nm)
 2. Remove the tailgate latch.



6. **NOTE:** *This step is only necessary when installing a new component.*

Release the cable tension by turning the release screw until the handle lever releases from the stop.

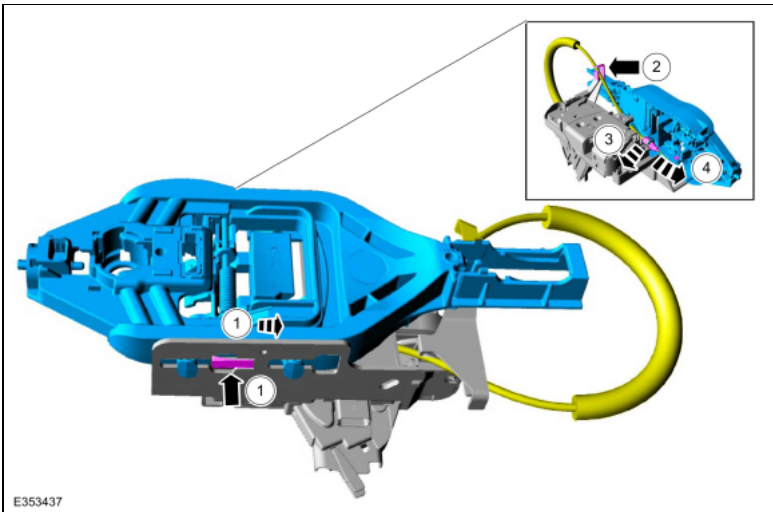
1. Turn the release screw until the handle lever releases from the stop.
2. Release the handle lever from the stop.



7. **NOTE:** This step is only necessary when installing a new component.

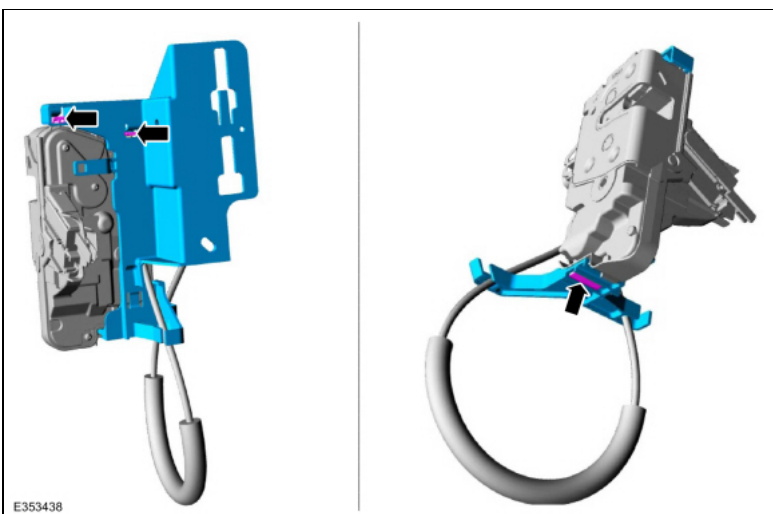
Remove the tailgate release handle reinforcement.

1. Press the locking tab down and detach the tailgate release handle reinforcement.
2. Remove the cable from the routing clips.
3. Detach the cable from the tailgate release handle reinforcement mounting bracket.
4. Remove the cable eyelet from the lever.



8. **NOTE:** This step is only necessary when installing a new component.

Release the retaining tabs and remove the tailgate latch bracket.



Installation

1. To install, reverse the removal procedure.
2. **NOTE:** *This step is only necessary when installing a new component.*

NOTE: *This step must be done correctly or the tailgate release handle will not engage the lever on installation.*

Position the tailgate release handle reinforcement in the service position.

1. Hold pressure on the handle lever.
2. Turn the release screw until the handle lever is positioned against the stop.

